



PREMIUM PISTON

AUTOMOTIVE



CAPT. ENGINE TECHNOLOGY Inc.



PREMIUM PISTON

Table of Content

Automobile Pistons

BUICK	P 1
FORD	
CUMMINS	
SCANIA	
RENAULT	
PEUGEOT	
V.W.	
DAIHATSU	P 2
HINO	
HONDA	P 3
HYUNDAI	P 4
KIA	
ISUZU	P 5~6
KOMATSU	P 7
MAZDA	P 8~9
mitsubishi ~Gasoline	P 10~11
mitsubishi ~Diesel	P 12~13
NISSAN ~ Gasoline	P 14~15
NISSAN ~ Diesel	P 16
SUZUKI	P 17
TOYOTA ~ Gasoline	P 18~20
TOYOTA ~ Diesel	P 21~22
Others	P 23
PISTON CROWN(HEAD) SHAPE	P 24~36



PISTON MATERIALS(JIS STANDARD)

Chemical Compositions (%)

CODE	AC8A	AC8B	AC8C	AC9B	AC9A
Cu	0.8~1.3	2.0~4.0	2.0~4.0	0.5~1.5	0.5~1.5
Si	11.0~13.0	8.5~10.5	8.5~10.5	18.0~20.0	22.0~24.0
Mg	0.7~1.3	0.5~1.5	0.5~1.5	0.5~1.5	0.5~1.5
Zn	<0.15	<0.5	<0.5	<0.2	<0.2
Fe	<0.8	<1.0	<1.0	<0.8	<0.8
Mn	<0.15	<0.5	<0.5	<0.5	<0.5
Ni	0.8~1.5	0.1~1.0	<0.5	0.5~1.5	0.5~1.5
Ti	<0.2	<0.2	<0.2	<0.2	<0.2

Heat Treatment

METHOD	QUENCHING	TEMPERING
T5		180~205 8Hrs
T6	460~510	180~205 16Hrs

Mechanical Properties

CODE	AC8A	AC8B	AC8C	AC9B	AC9A
Tensile	T5>22	T5>21	T5>21	T5>20	T5>18
Strength Kg/mm	T6>28	T6>28	T6>28	T6>22	T6>18
	T7>25	T7>25	T7>25	T7>21	
Hardness HRB	T5 57~69	T5 57~69	T5 57~69	T5 57~69	
	T6 64~74	T6 64~74	T6 64~74	T6 64~74	T6 63~75
	T7 55~65	T7 55~65	T7 55~65	T7 55~66	T7 54~66
Elongation %	T5>0.5	T5>0.5	T5>0.5	T5>0.3	
	T6>0.5	T6>0.5	T6>0.5	T6>0.3	T6>0.3
	T7>0.6	T7>0.6	T7>0.6	T7>0.3	T7>0.3

Thermal Expansion & Specific Gravity

CODE	AC8A	AC8B	AC8C	AC9B	AC9A
Thermal Expansion X 10 ⁻⁶	20~100 19.2	20~100 20.2	20~100 20.4	20~100 18.2	20~100 17.8
	20~200 20.6	20~200 21.6	20~200 21.5	20~200 19.1	20~200 18.5
	20~300 21.9	20~300 23.1	20~300 23.1	20~300 20.1	20~300 19.2
Specific Gravity (g/cm ³)	2.73	2.75	2.73	2.63	2.62

TYPES

- Two-stroke pistons

are subject to strong mechanical and thermal loads due to the design principle of two-stroke engines. Special aluminium alloys are used so as to meet these requirements in the best possible way.

- Cast solid skirt pistons

distinguish themselves with a long operating life and economic viability for gasoline and diesel engines. In these pistons, the piston crown, ring zone and skirt make a robust unit. Therefore the possibilities for use range from a model engine to a large engine.

- Forged solid skirt pistons

have increased strength due to the manufacturing process. This means that smaller wall cross-sections and lower piston weights are possible. These pistons are installed, above all, in mass-produced engines that are subject to heavy loads, and in engines for racing sports.

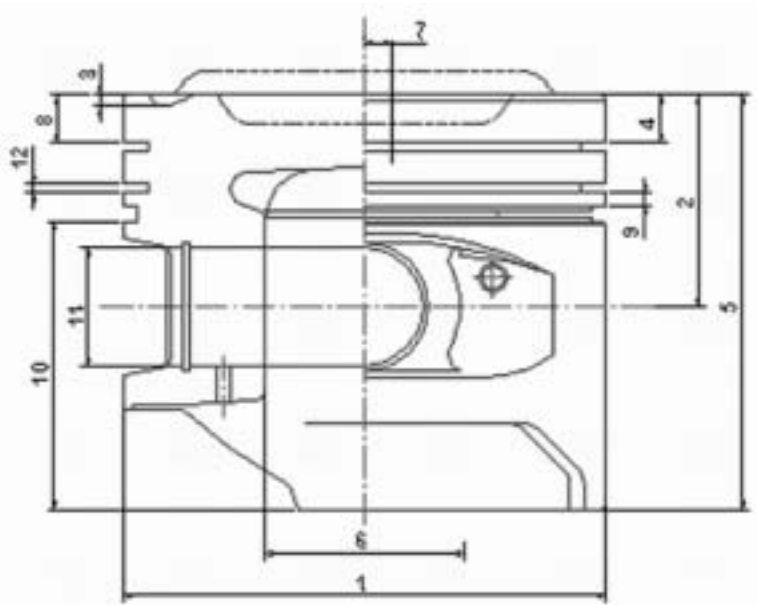
- Ring carrier pistons with pin boss bushes (Al-Fin)

have a ring carrier made of special cast iron which is cast into the piston. This provides protection to the top ring groove from the wear and tear which diesel engines in particular are subject to. In order to make it possible to increase the loads to which the pin boss can be subjected, this piston has pin boss bushes that are made of special material.

- Ring carrier piston with cooling gallery (Cooling Channel)

are used in situations in which particularly high operating temperature occur. In order to reduce the high temperatures—which are caused by the increased performance in the piston crown and in the ring area, intensive cooling is done by circulating oil in the cooling gallery.

NAME OF PARTS



- | | |
|---------------------------|----------------------------|
| 1 Cylinder bore | 7 Combustion Cavity offset |
| 2 Compression height | 8 Top land height |
| 3 Valve recess depth | 9 Ring land |
| 4 Combustion chamber | 10 Piston skirt |
| 5 Total length | 11 Pin hole diameter |
| 6 Distance between bosses | 12 Ring groove |

FITTING RECOMENDATION

Piston diameter, installation clearance and, if applicable, direction of installation are marked on the piston crown. The stated piston diameter added to the corresponding clearance gives by the cylinder diameter.

In the case of pistons that have a graphitized skirt (Moly coating), another 0.015~0.020mm should be deducted from the measured piston diameter to allow for the thickness of the layer, this gives the nominal diameter for the piston, which is stamped on it.

The piston rings have been mounted with the greatest of care. Each time they are removed unnecessarily and refitted with excessive stretching, permanent deformation is caused and the operating performance is impaired.

The piston pins are packed in a way that protects them from corrosion and they are enclosed with the piston, as are the pin locking device.

The piston pins are selected for the appropriate fit and they can be exchanged within the same piston type. However, some of the pistons and pins are color coded. These parts may not be exchanged for others under any circumstances.

Assembly of piston and con rod

Prior to assembly, the con rods have been checked to see that their bores are on parallel axes (to ensure that there has been no bending or twisting) and, if necessary, they have been replaced.

On assembly it must be ensured that the components are lubricated sufficiently. The pistons and con rods must always be assembled in the prescribed installation direction.

Shrink fit

Assembling pistons and pins with shrink fit in the con rod requires the greatest of care. It is particularly important that there is freedom of movement between piston and pin after assembly.

Floating pin

For pistons with floating pins, the enclosed circlips serve to fix the piston in the piston pin bore. The circlips must be mounted with a suitable tool. When this is done it should be ensured that the circlips fit completely into the slot for which they are intended and that the impact is always in the stroke direction of the piston.

Never use old circlips and avoid pressing them together too much. Otherwise permanent deformations can result.

Installation of the piston

When the piston is installed, the installation direction must be observed. The impacts on the individual piston rings are to be distributed evenly across their circumference. The pin locking device is to be installed in such a way that the impact is at the top or the bottom. The cylinder bore or the pistons and the rings must be oiled.

In order to avoid damage when the piston is being fitted in the cylinder bore, a suitable tool is to be used for assembly.

In the case of diesel engines, the clearance must be measured and the relevant instructions from the engine manufacturer must be followed.

In the case of pistons with a hard anodized crown, the crown should not be machined.

It should be ensured that only cylinder head gaskets and filters for air, fuel and oil that are approved by the engine manufacturers are used.

The parts of the engine (cylinder block, crankshaft, con rod and oil pan) must be cleaned carefully before assembly to remove machining residues and deposits.



CAPT. PREMIUM PISTON

CAPT No.	Piston Part No.	Engine Code	No. of Cyl.	PISTON SPEC.				PISTON RING SPEC.		PISTON PIN SPEC.		Remark
				Head Shape	Cyl. Bore	Length	Comp. Distance	Comp. Ring	Oil Ring	Dia.	Length	

BUICK

BC89001	12563403	WK. L3.0	6	02	89	60.0	38-6.5	1.2 1.5	3.0	23	57	
---------	----------	----------	---	----	----	------	--------	------------	-----	----	----	--

FORD

FD71001	MB3H7-11-102-BT-57	FESTIVA	4	181	71	60.0	28.7-1	1.2 1.5	3.0	20	62	
FD78001	B6BF-11-102	B6	4	237	78	62.5	32-2.5	1.5-2	3.0	20	57	
FD86001	FEHA-11-SAOA	FE30	4	181	86	71.0	34-7.2	1.5-2	4.0	22	67	

CUMMINS

CM10210	A3913908	6BT-160	6	151	102	105.6	71.6-17.5	2.9DK 2.4	4.0	40	76	AL-FIN Diesel
CM12510	3818666	LT-10 (125L)	6	151	125	124.2	79.2-11.5	3.0DK 3.0DK	4.76	54	98.5	AL-FIN Diesel

SCANIA

RN98010	61560030009	WD 615.68	6	60	126	133.1	80.1-22.8	2.4DK 3.0	4.0	50	105	AL-FIN Diesel
---------	-------------	--------------	---	----	-----	-------	-----------	--------------	-----	----	-----	---------------

RENAULT

RN98010	699.2D	R98	4	256	98	119.2	75.2-36	3.0DK 2.5-2	4.5	36	84	AL-FIN Diesel
RN10210		R102	4	256	102	120.5	75.7-38	2.87D K 2.5	5.0	36	86	AL-FIN Diesel
RN12010		R120	6	60	120	134.9	83.9-23	3.4DK 3.0	4.0	50	97.5	AL-FIN Diesel
RN13510		R340	6	59	135	170.2	90.2-25.7	4.0DK 3.0	4.0	55	112	AL-FIN Diesel
RN13520		R310	6	59	135	170.2	90.2-28.5	3.35D K 3.0	4.0	55	112	AL-FIN Diesel

PEUGEOT

PG84001	PR66017		4	01	84	70.9	37.9	1.5 2.0	4.0	23	70	
PG88001	915634980		4	121	88	71.2	37.6+0.6	1.5 2.0	4.0	23	74	

VW

VW77001	91-347-600		4	01	77	78.0	38	2.5-2	4.0	20	63	
VW81001	93-871-600	ABB KP PS RT	4	227	81	67.0	35.6+2.4	1.5 1.7	3.0	20	57	
VW81002	RP83036	Santana 1.8L	4	227	81	62.5	32.2+1.3	1.5 1.7	3.0	20	57	
VW81003	06A-107-099	Jetta 103	4	145	81	57.0	32.8-0.6	1.5 1.75	2.0	20	59	
VW81004	026-107-103AE		4	233	81	54.2	33.2-7	1.5 1.75	2.0	20	57	
VW81005	058-107-103Q	Passat	4	82	81	52.6	30.6+2	1.5 1.75	2.0	20	52	
VW81006	06A-107-103AC	Jetta 2V	4	233	81	53.7	32.7-3.7	1.5 1.75	2.0	20	57.5	
VW87001		VW87	4	01	87	82.5	39.5	2.0-2	5.0	22	73	



CAPT. PREMIUM PISTON

CAPT No.	Piston Part No.	Engine Code	No. of Cyl.	PISTON SPEC.				PISTON RING SPEC.		PISTON PIN SPEC.		Remark
				Head Shape	Cyl. Bore	Length	Comp. Distance	Comp. Ring	Oil Ring	Dia.	Length	

DAIHATSU

DS70001	13101-87708-000 13101-87717	CD	3	147	70	64.2	28+4.2	1.5-2	2.8	18	60	
DS72001		472Q	4	232	72	55.0	2.8-1.4	1.2 1.5	2.8	17	60	
DS76001	13101-87713 13211-87719	CB/C	3	185	76	60.5	28.5-3.6	1.5-2	2.8	18	60	
DS76002	13211-87105-B010	DK105/ 476	4	88	76	63.8	30.3+3.5	1.2 1.5	3.0	19	58	HC
DS76003	13101-87106-B000 13101-87107-200	HD	4	88	76	60.8	30.3+0.5	1.2 1.5	3.0	19	58	HD
DS76004	13211-87711-D	Z830	3	232	76	60.5	28.5-1.5	1.5-2	2.8	18	60	
DS76005	13211-87711-D	S75	3	232	76	60.5	28.5-1.5	1.5-2	2.8	18	60	
DS76006	13101-87370	S89	4	201	76	62.9	30.3+2.6	1.2 1.5	3	19	58	
DS76007	13101-87702 13101-87736	CB/A	3	232	76	60.5	28.5-1.5	1.5-2	2.8	18	60	
DS88010	13101-87306-000	DG-3G	4	138	88	95.0	50.5-4.9	2.5 2.0	4.0	26	70	Diesel
DS92010	13101-87319 13101-87320	DL26(V57)	4	138	92	95	50.5-5.2	2.5 2.0	4.0	26	70	Diesel
DS92020	13101-87324 13101-87325	DL/B (New)	4	138	92	95	50.5-5.2	2.5 2.0	4.0	28	75	Diesel
DS92030	13101-87325	DL28	4	138	92	95	50.5-5.2	2.5 2.0	4.0	28	70	Diesel

HINO

HN10410	13216-1460 13211-1801	1W W04D	4	248	104	106	60.5-19.8	2.5 2.0	5.0	35	85	AL-FIN Diesel
HN10420	13216-2220 13211-2390	WO6E	6	248	104	106.2	60.2-18.5	2.5 2.0	5.0	35	85	AL-FIN Diesel
HN10810	13216-1740B	HO6CT	6	66	108	121.5	69.5-25	2.8DK 2.5-2	5.0	39	90	AL-FIN Diesel
HN11010	13211-2152 Cooling Channel	H07C-T	6	112	110	121.5	69.5-19	3.0DK 2.0 2.5	4.0	39	90	AL-FIN Diesel
HN11020	13216-2290	H07C	6	112	110	121.5	69.5-27.5	3.0 2.5-2	5.0	39	90	AL-FIN Diesel
HN11030	13216-2300	H07C	6	248	110	121.5	69.5-20	3.0 2.5-2	5.0	39	90	AL-FIN Diesel
HN11040	13216-2260	H07D	6		110	100.1	57.1-20.4	3.0 2.0	4.0	37	85	AL-FIN Diesel
HN11410	13306-1080 Cooling Channel	J05CT	4		114	100	57.1-18.2	2.5 2.0	4.0	37	84	AL-FIN Diesel
HN11420	13301-1013 Cooling Channel	JO8CT	8		114	100	57.1-21	3.0 2.0	4.0	37	84	AL-FIN Diesel
HN13710	13216-1860 L 13226-1170 R	EF750	8	60	137	114.5	90.2-30	3.306DK 3.5-2	6.0	50	110	AL-FIN Diesel



CAPT. PREMIUM PISTON

CAPT No.	Piston Part No.	Engine Code	No. of Cyl.	PISTON SPEC.				PISTON RING SPEC.		PISTON PIN SPEC.		Remark
				Head Shape	Cyl. Bore	Length	Comp. Distance	Comp. Ring	Oil Ring	Dia.	Length	

HONDA

HD72001	13101-PA1-010	EN	4	14	72	65	27.4+2.6	1.5-2	4	17	65	
HD73001	13101-REJ-WO		4	254	73	47.3	28.8-5.7	1.0 1.2	2	18	54	
HD77001	13101-689-010	EK1	4	2	77	62.5	27.5-1	1.5-2	4	18	64	
HD77002	13101-676-601	EK/A	4	01	77	62.2	27.7	1.5-2	4	18	64	
HD80001	13101-PC7-661	ET2 A18A1	4	124	80	65.3	29.8-1.3	1.5-2	4	20	62	
HD81001	13101-PR4-000	B18A1 B18B1	4	186	81	60	30-1.5	1.0 1.2	2.8	21	56.5	
HD82701	13101-PH4-000 13101-PH4-600	BS1	4	124	82.7	65.3	29.9-1.6	1.5-2	4	20	62	
HD85001	13101-POA-A01		4	124	85	65.1	30.6-3.4	1.2-2	3	22	57	
HD85002		F22B4	4	124	85	65.1	30.6-3.4	1.2-2	3	22	57	
HD85003	13101-PT3-A01 13101-PT5-A00	F22A1 F22F6	4	200	85	65	30.5-3.2	1.2-2	2.8	22	57	
HD85004	13101-PT3-A01 13101-PT5-A00	F22A1 F22A4	4	124	85	65.1	30.6-3.4	1.2-2	2.8	22	57	
HD85005	13101-P1E-000	F22B2	4	124	85	65	30.5-3.2	1.2-2	2.8	22	57	
HD85006	13101-PT1-00	CB3	4	124	85	65	30.5-3.2	1.2-2	3	22	57	
HD86001	13101-PFV-00		4	173	86	54.1	32.6-6.7	1.2-2	2.8	22	54.5	
HD87001	13010-RAA-A00		4	186	87	56.6	32.6-5.8	1.2-2	2	22	52	



CAPT. PREMIUM PISTON

CAPT No.	Piston Part No.	Engine Code	No. of Cyl.	PISTON SPEC.				PISTON RING SPEC.		PISTON PIN SPEC.		Remark
				Head Shape	Cyl. Bore	Length	Comp. Distance	Comp. Ring	Oil Ring	Dia.	Length	

HYUNDAI

HY71501			4	125	71.5	54.0	31-0.5	1.5-2	3.0	18	52	
HY75501	13101-70010T	4AFO	4		75.5	54.5	31.5-0.8	1.5-2	3.0	18	47.5	
HY76501			4	81	76.5	50.5	28.5-0.7	1.2-2	2.5	18	52	
HY77401	23410-23511	Elantra1.6L	4	183	77.4	60.8	31+1.8	1.2-2	2.5	20	59	
HY82001	0305-21-200T		4	173	82	62.0	31.1+0.9	1.2-2	2.5	20	59.5	
HY82002	12010-55S03T		4	173	82	63.3	31.1+2.2	1.2-2	2.5	20	59.5	
HY82003	23410-23710	Elantra1.8L	4	183	82	57.8	31+0.3	1.2-2	2.5	20	59	
HY85001	H802-22-100T	4ARO	4	237	85	67.0	35-2.2	1.2 1.5	2.8	21	66	
HY11810	23411-93400/YBQ	6D16T	6	59	118	116.2	71.2-21.8	3.0 2.5	4.0	38	92.5	AL-FIN Diesel

KIA

KA70001	KA227073 A100-11-		4	141	70	69.5	30+9.5	1.2 1.5	2.8	18	60	
KA92030	K7Z0-11-SA0	SF	4	95	92	94.6	50.6-4.5	2.4-2	4.0	28	75	AL-FIN Diesel
KA92010		S8/SUTC	4	138	92	103.5	60.5	3.0DK 2.38	4.0	31.75	75	AL-FIN Diesel
KA92020		K2700	4	138	92	130.4	60.5	2.85DK 2.40	4.0	31.75	75	AL-FIN Diesel
KA93010	VNY1-11-SA0	RFA	4	133	93	85.2	48.2-2.5	2.0-2	3.0	30	76	AL-FIN Diesel
KA94510	K6ZI-11-SA0 Cooling Channel	JS	4	133	94.5	81.7	50.1-3.5	2.0-2	3.0	30	76	AL-FIN Diesel
KA10010	OKY1-11-SA0 Cooling Channel	SL/K3600	4	241	100	102.0	56.2-19.7	2.0-2	3.0	34	82	AL-FIN Diesel

YANMAR

YA66001		E66K/ML		138	66	53.1	28.1-1.1	1.5K 1.5	3	20	54.5	
YA68001		L40		100	68	63	31-9.1	1.5-2	3.5	19	51	
YA72001		E72K/ML		138	72	61.5	33.5-2.0	1.5K 1.5	3	21	58.5	
YA75001		L60		100	75	70	34.5-10	1.5-2	3.5	21	59	
YA82001		E82K/MS		158	82	84.1	47.35-16	2.0-2	4	26	69.5	
YA86001		E86K/ML		158	86	84.1	47.35-15.9	2.0-2	4	26	69.5	
YA95010	123220-22031	2T	2	240	95	131	69-3	2.5-3	4.5-2	35	80	AL-FIN Diesel
YA95020	123220-22031	3T	3	240	95	131	69-3	2.5-3	4.5-2	35	80	AL-FIN Diesel
YA98001	129903-22081	4D98	4	138	98	99.5	45.5-4.0	2.0K 2.0	3	30	72.5	AL-FIN Diesel



CAPT. PREMIUM PISTON

CAPT No.	Piston Part No.	Engine Code	No. of Cyl.	PISTON SPEC.				PISTON RING SPEC.		PISTON PIN SPEC.		Remark
				Head Shape	Cyl. Bore	Length	Comp. Distance	Comp. Ring	Oil Ring	Dia.	Length	

ISUZU

IZ70001	6BD10C-1B0	6BD1/1		01	70	49.5	26	3.0-2	4	16	56	Air-Compressor
IZ76001	8-94619-747-1	4FE1	4	95	76.3	80	45-2.5	2.0-2	4	25	63.5	
IZ82001	8-94200-645-0 8-94211-129-0	G161Z	4	09	82	80.5	38-0.5	2.0-2	4	22	66	
IZ84010	8-94228-886-2	4FB1	4	111	84	74.6	44.6-2.0	2.5 2.0	4	25	67	Diesel
IZ85001	E1200C-1B0	6RB1		01	85	51	32	3.0-2	4	16	64	Air-Compressor
IZ85002	DA640C-1B0	DA640		01	85	65	35	3.0-2	4	18	76	Air-Compressor
IZ86010	5-12111-119-0 5-12111-203-0	C190-4G	4	164	86	99.5	51.5-2	2.5 2.0-2	5	27	72	Diesel
IZ86020	5-12111-064-0 5-12111-813-0	C240-4G	4	133	86	95.5	51.5-3	2.5 2.0-2	5	27	72	Diesel
IZ86030	8-94326-225-0	C240-3G	4	164	86	84.5	51.5-2.4	2.5 2.0	5	27	68	Diesel AL-FIN
IZ86040	8-12111-834-0	C240 5G	4	95	86	95.5	51.5-3	2.0-3	5.0-2	27	72	Diesel
IZ88001	8-94224-314-0	4ZC1	4	02	88	80	37-2	1.5-2	4	22	69	
IZ88010	5-12111-212-0	C223	4	164	88	90	47.5-2.4	2.5 2.0	4	27	68	Diesel
IZ88020	5-12111-212-0	C223T OLD	4	164	88	90	47.5-2.4	2.5 2.0	4	27	68	Diesel
IZ93010	8-94369-281-0	4JA1C	4	241	93	87.8	47.8-9	2.0-2	4	31	76	Diesel
IZ93020	8-94152-712-1	4JA1	4	242	93	87.8	47.8-9	2.0-2	4	31	76	Diesel
IZ93030	8-94152-711-1	4JB1	4	242	93	92	52-13.8	2.0-2	4	31	76	Diesel
IZ93040	8-97176-606-0	4JB1T	4	60	93	92	52-19.5	2.0-2	4	31	76	Diesel
IZ93050	8-97108-621-0	4JB1T	4	60	93	92	52-19.5	2.0-2	4	34	76	Diesel
IZ95410		4JG2T	4	95	95.4	89.2	49.2-2.5	2.5 2.0	4	34	78	Diesel
IZ98010	5-12111-055-1 9-12111-814-0	4BA1	4	111	98	112.5	62.5-2	3.0 2.5	5	33	85	Diesel
IZ10210	8-12111-230-4	4BC2	4	242	102	98.4	59-17.6	3.0 2.5	5	35	85	Diesel
IZ10220	1-12111-325-1	6BD1T	6	242	102	98.2	58.8-19.7	3.0 2.5	5	35	87	Diesel
IZ10230	5-12111-068-0 5-12111-211-0	6BD1 4BD1	6 4	242	102	104.2	58.7-19.7	3.0 2.5	5	35	87	Diesel
IZ10240	1-12111-303-1	6BD1T/A	6	242	102	104.2	58.7-19.7	3.0 2.5	5	35	87	Diesel
IZ10250	5-12111-013-0	6BB1	6	242	102	112.4	62.9-19.1	3.0 2.5	5	35	87	Diesel
IZ10260		4BB1	4	242	102	112.4	62.9-19.1	3.0 2.5	5	35	87	Diesel
IZ10270	8-94321-734-0	4BD1T	4	242	102	98.3	58.9-19.7	3.0 2.5	5	35	87	AL-FIN Diesel
IZ10280	8-97025-457-2 Cooling Channel	4BD2-T	4	95	102	98.2	58.9-3.0	3.0 2.5	5	35	87.5	AL-FIN Diesel
IZ10290	5-12111-242-1	4BD1	4	242	102	98.2	58.8-19.7	3.0 2.5	5	35	87	Diesel



CAPT. PREMIUM PISTON

CAPT No.	Piston Part No.	Engine Code	No. of Cyl.	PISTON SPEC.				PISTON RING SPEC.		PISTON PIN SPEC.		Remark
				Head Shape	Cyl. Bore	Length	Comp. Distance	Comp. Ring	Oil Ring	Dia.	Length	

ISUZU

IZ10291	1-12111-633-0	6BB1	6	242	102	102.1	62.8-19.1	3.0 2.5	5	35	87.5	Diesel
IZ10292	1-12111-777-0	6BD1T	6	242	102	104.2	58.7-19.7	3.0 2.5	5	35	87	Diesel
IZ10510	8-94438-989-1 5-12111-022-	4BE1	4	242	105	95.6	56.5-17.6	3.0 2.5	5	35	85	Diesel
IZ10520	1-12111-377-4 1-12111-323-2	6BG1	6	242	105	94.5	55.5-19	3.0 2.5	4	35	87	Diesel
IZ11010	8-94396-837-0	6HE1	6	242	110	100	66-19.6	3.0 2.5	4	36	79	Diesel
IZ11210	8-97095-585-0	4HF1	4	157	112	94.5	60.8-21.8	3.0 2.5	4	36	80	Diesel
IZ11510	8-97219-032-0 Cooling Channel	4HG1T	4	157	115	119.5	60.9-22.3	3.0K 2.0 2.5	4	36	79	Diesel



CAPT. PREMIUM PISTON

CAPT No.	Piston Part No.	Engine Code	No. of Cyl.	PISTON SPEC.				PISTON RING SPEC.		PISTON PIN SPEC.		Remark
				Head Shape	Cyl. Bore	Length	Comp. Distance	Comp. Ring	Oil Ring	Dia.	Length	

KOMATSU

KM70001		6D105	1	01	70	49.5	26	3.0-2	4	16	56	Air-Compressor
KM85001		6D125	1	01	85	51	32	2.0-2	4	16	62.5	Air-Compressor
KM94010		4D94	4	95	94	104	60-3.0	2.5K 2.0	4.5	30	74	AL-FIN Diesel
KM95010	6207-31-2141	S6D95-5	6	100	95	94.1	51.1-9.3	2.5DK 2.2K	4	30	74	AL-FIN Diesel
KM95020	6204-31-2111	4D95	4	100	95	94.1	51.1-9.3	2.5 2.0	4	30	74	AL-FIN Diesel
KM95030	6201-32-2111	4D95	4	138	95	104.1	61.1-1.7	2.2K 2.0	4	30	74	AL-FIN Diesel
KM95040	6207-31-2180	S6D95-6	6	60	95	94.1	51.1-19.5	2.5DK 2.2DK	4	30	74	AL-FIN Diesel
KM95050	6207-31-2121	6D95C	6	100	95	94.1	51.1-19.5	2.5DK 2.2K	4	30	74	AL-FIN Diesel
KM95060	6202-32-2130	4D95 6D95	4 6	138	95	104.1	61.1-1.7	2.2K 2.0	4	30	74	AL-FIN Diesel
KM95070	6207-31-2121	6D95C	6	100	95	94.1	51.1-19.5	2.5DK 2.2K	4	30	74	AL-FIN Diesel
KM95080	6207-31-2180	S6D95-6	6	60	95	94.1	51.1-19.5	2.5DK 2.2DK	4	30	74	AL-FIN Diesel
KM95090	6202-32-2120	4D95K	4	95	95	94.1	51.1-3.1	2.2K 2.0	4	30	74	AL-FIN Diesel
KM95091	6202-33-2150	4D95	4	100	95	104.3	61.3-15.6	2.0-2	4	30	74	AL-FIN Diesel
KM95092	6202-33-2150	6D95A	6	100	95	104.3	61.3-15.6	2.0-2	4	30	74	AL-FIN Diesel
KM95093	6204-31-2121	6D95	4	100	95	94.1	51.1-19.5	2.0-2	4	30	74	AL-FIN Diesel
KM98010	129903-22081	4D98	4	138	98	99.5	45.5-4.0	2.0K 2.0	3	30	72.5	AL-FIN Diesel
KM10510	6137-32-2130	S6D105	6	60	105	107.1	69.2-23.5	3.0DK 2.5K	5	40	86	AL-FIN Diesel
KM11010	6138-31-2110	S6D110	6	60	110	116.2	69.2-22.8	3.0DK 2.5K	5	40	91	AL-FIN Diesel
KM11020	6138-31-2110	S6D110	6	60	110	116.2	69.2-20	3.0DK 2.5K	5	40	91	AL-FIN Diesel
KM11030	6138-31-2110	S6D110	6	60	110	116.2	69.2-18	3.0DK 2.5K	5	40	91	AL-FIN Diesel
KM11040	6138-31-2110	6D110	6	60	110	116.2	69.2-22	3.0DK 2.5K	5	40	91	AL-FIN Diesel



CAPT. PREMIUM PISTON

CAPT No.	Piston Part No.	Engine Code	No. of Cyl.	PISTON SPEC.				PISTON RING SPEC.		PISTON PIN SPEC.		Remark
				Head Shape	Cyl. Bore	Length	Comp. Distance	Comp. Ring	Oil Ring	Dia.	Length	

MAZDA

MD68001	0249-99-111 0259-23-200	PB	4	71	68	73.6	37.9+4.1	2.0-2	4.0	20	56	
MD68002	BIT0-11-SAO	B1	4	181	68	63.6	32+0.6	1.2 1.5	3.0	20	52	
MD68003	B1Y0-10-SAO	B1	4	234	68	63.6	32+0.6	1.2 1.5	3.0	20	52	
MD70001		EA	2	01	70	76.5	41	2.52-2	4.0	22	59.6	
MD70002		TA	4	01	70	76.5	41	2.52-2	4.0	22	59.6	
MD71001	B3Y0-11-SA	B3	4	181	71	60.0	28.8-2.0	1.2 1.5	3.0	20	52	
MD73001	0370-23-200	TC E1300A	4		73	70.5	37+1.5	2.0-2	4.0	19.99	56	
MD73002	0324-23-200	TC E1300B	4		73	69	37	2.0-2	4.0	19.99	56	
MD77001	E301-23-200	E3	4	144	77	61.8	29+0.8	1.2 1.5	4.0	20	65	
MD77002	E501-23-200	E5	4	199	77	61	29-2.3	1.2 1.5	4.0	19.99	65	
MD78001	H602-23-200	NA	4	13	78	78.2	38.5+2.7	1.5 2.0	4.0	20	65	
MD78002	B6Y2-11-SAO B6Y2-11-SBX	B6	4	246	78	63	32.5-3	1.5-2	3.0	20	61	
MD78003	B62A-11-102	B6	4	246	78	63.0	32.5-3	1.5-2	3.0	20	61	
MD78004	B6BF-11-102	B6	4	237	78	62.5	32-2.5	1.5-2	3.0	20	57	
MD78010	PN11-11-SAO	PN	4	138	78	76.1	41.2-2.7	2.0 1.5	3.0	25	64	Diesel
MD80001	HE01-23-200 8682-23-200A	MA	4	01	80	73.3	36.3	1.2 1.5	4.0	20	65	
MD80002	HE41-23-200	MA	4	01	80	73.3	36.3	1.5 2.0	4.0	20	65	
MD81001	F605-23-200-F6	F6	4	234	81	75.6	34+4.6	1.5-2	4.0	22	67	
MD82001	0553-23-200	VA	4	01	82	83.5	45	2.0-2	4.5	22	71	
MD82002	2477-23-200	VA(E2000)	4	05	82	83.0	45.5-6	2.0-2	4.5	22	71	
MD83001	FSY3-11-SAO	FS	4	237	83	54.0	30-8.3	1.2 1.5	3.0	19	58	
MD83002	FSY1-11-SAOB	FS/626GE	4	237	83	54.0	30-8.5	1.2 1.5	3.0	19	58	
MD86001	FE01-23-200	FE	4	181	86	70.8	33.8-2.6	1.5-2	4.0	22	67	
MD86002	F801-23-200	F8	4	205	86	71.25	34+0.25	1.5-2	4.0	22	67	
MD86003	F2Y2-11-SAOA	F2	4	237	86	71.4	36.4-6.8	1.5-2	4.0	22	67	
MD86004	FEHA-11-SAOA	FE	4	181	86	71	34-7.2	1.5-2	4.0	22	67	FORD FE30
MD86005	F2Y4-11-SAOA	F2200	4	181	86	71.0	36-5.5	1.2-2	4.0	22	67	
MD86010	RF01-23-200 RF01-23-200B	R2	4	95	86	86.2	47.2-1.5	2.0-2	4.0	25	68.2	AL-FIN Diesel
MD86020	R2Y0-11-SAO Cooling Channel	R2	4	133	86	86.2	47.2-1.6	2.0-2	3.0	25	68.2	AL-FIN Diesel
MD88910	S501-23-200 S501-99-111	S2 / XA	4	95	88.9	103.4	60.4-1.8	2.39-2	4.76	28	73.5	Diesel



CAPT. PREMIUM PISTON

CAPT No.	Piston Part No.	Engine Code	No. of Cyl.	PISTON SPEC.				PISTON RING SPEC.		PISTON PIN SPEC.		Remark
				Head Shape	Cyl. Bore	Length	Comp. Distance	Comp. Ring	Oil Ring	Dia.	Length	

MAZDA

MD90001	JEY7-11-SAZA JEY7-11-SLX-L	JE	6	181	90	71.0	35.2-3	1.5-2	4.0	23	63	
MD93001	WL01-23-201A WLY3-11-SA0C	WL	4	133	93	87.4	47.9-3.0	2.5 2.0	3.0	32	70	AL-FIN Diesel
MD95010	SE01-23-200A	HA/T3000 (D3000)	4	95	95	100.6	53.6-2.1	2.4-2	4.75	30	79	Diesel
MD10010	SL07-23-200B Cooling Channel	SL	4	151	100	105	58-21.5	2.0K 2.0	4.5	34	82	Diesel
MD10020	SL01-23-200A	SL	4	112	100	105.0	58-21.5	2.5 2.0	4.5	34	82	AL-FIN Diesel
MD10030	SL50-11-SAO Cooling Channel	SL50	4	112	100	105.0	58-18.5	2.5 2.0	4.5	34	82	AL-FIN Diesel
MD10510	TF01-11-SAO Cooling Channel	TF	4	157	105.5	108.5	61.5-21.8	2.5K 2.0	4.5	35	87	AL-FIN Diesel
MD10520	TF20-11-SAO	T4100	4		105.5	108.5	61.5-21.8	2.5K 2.0	4.5	35	87.5	AL-FIN Diesel
MD10710	TM01-11-102 TMY0-11-102 Cooling Channel	TM4500	4		109	107.5	61.5-20.9	3.0K 2.0	3.0	35	79	AL-FIN Diesel



CAPT. PREMIUM PISTON

CAPT No.	Piston Part No.	Engine Code	No. of Cyl.	PISTON SPEC.				PISTON RING SPEC.		PISTON PIN SPEC.		Remark
				Head Shape	Cyl. Bore	Length	Comp. Distance	Comp. Ring	Oil Ring	Dia.	Length	

MITSUBISHI - Gasoline Engine

MB70001	MD073733	2G23	2	136	70	59	27+2	1.5-2	2.5	18	60	
MB72201	MD173577	4G17	4	118	72.2	58.6	29.6-0.6	1.2 1.5	3	18	56	
MB73001	MD009580/1	4G33 (New)	4	122	73	70	33	1.5-2	4	19	64	
MB73002	MD002710 MD002851	4G33C	4	197	73	69.7	32.7	2.0-2	4	19	64	
MB74001	MD030322/91	4G12B	4	186	74	58	29-1.5	1.5-2	4	18	60	
MB75501	MD074715	G15B	4	186	75.5	58.2	29-0.6	1.5-2	4	18	60	
MB75502	MD143914	4G15 (New)	4	02	75.5	58	29-0.45	1.2 1.5	3	18	56	
MB76001		476Q	4	200	76	47	26-1.3	1.2-2	2.5	18	57	
MB76501	MD010940 MD011951	4G41	4	12	76.5	69.3	30.6+0.2	2.0-2	4	19	64	
MB76901	MD009521 MD009321	4G32 G32B	4	123	76.9	70.5	33.6-2.5	2.0-2	4	19	63	
MB80601	MD074210	G37B	4	208	80.6	75.4	33.3+7.1	1.5-2	4	19	64	
MB80602	MD074221	4G62B-T	4	181	80.6	72	35-2.4	1.5-2	4	21	72	
MB80603	MD100416	4G37	4	208	80.6	71.8	34+3.8	1.5-2	4	19	64	
MB85001	MD193210	4G63S	4	224	85	67	35-1.8	1.2 1.5	2.8	22	62	
MB85002	MD188289	4G63K	4	209	85	67.4	35.4-1.6	1.2 1.5	3	22	62	
MB85003	MD100372	4G63	4	205	85	72	35-1	2.0-2	4	21	72	
MB85004	MD188289	4G63K	4	209	85	67	35-1.2	1.2 1.5	3	22	62	
MB85005	MD190256 MD190244	G63P	4	209	85	67.1	35.1-4.7	1.2 1.5	3	22	62	
MB85006		4G63ZF2	4	224	85	66.7	34.7-1.6	1.2 1.5	2.8	22	62	
MB85007	MD129232	4G63DT (G63DT)	4	237	85	67	35-5.4	1.2 1.5	3	21	66	
MB86501	MD303071	4G64SA 4G64V3L	4	02	86.5	67	35-4.3	1.2 1.5	2.8	22	62	
MB86502	MD188998	4G64A	4	210	86.5	76.2	35.4+3.8	1.5-2	4	21	72	
MB86503	ME105377	4G64N J(H100)	4	210	86.5	72.3	35+1.2	1.5-2	4	21	72	
MB91101	MD197808(R) MD197814(L)	6G72	V6	212 211	91.1	66.2	32.2-3.2	1.2 1.5	3	22	64	
MB91102	MD080394	4G54C	4	02	91.1	77.4	35.2-3	1.5-2	4	22	79	
MB91103	MD026940	4G54A	4	02	91.1	77.4	35.4-5	2.0-2	4	22	79	
MB91104	MD071172	4G54T	4	09	91.1	78.3	36+0.3	1.5-2	4	22	79	
MB91105	MD071172	4G54B	4	09	91.1	78.3	36+0.3	1.5-2	4	22	79	
MB91106	MD052563	6G72B.L	3	211	91.1	68	32-3	1.5-2	4	22	64	



CAPT. PREMIUM PISTON

CAPT No.	Piston Part No.	Engine Code	No. of Cyl.	PISTON SPEC.				PISTON RING SPEC.		PISTON PIN SPEC.		Remark
				Head Shape	Cyl. Bore	Length	Comp. Distance	Comp. Ring	Oil Ring	Dia.	Length	

MITSUBISHI - Gasoline Engine

MB91107	MD119671	6G72B.R	3	212	91.1	68	32-4	1.5-2	4	22	64	
---------	----------	---------	---	-----	------	----	------	-------	---	----	----	--



CAPT. PREMIUM PISTON

CAPT No.	Piston Part No.	Engine Code	No. of Cyl.	PISTON SPEC.				PISTON RING SPEC.		PISTON PIN SPEC.		Remark
				Head Shape	Cyl. Bore	Length	Comp. Distance	Comp. Ring	Oil Ring	Dia.	Length	

MITSUBISHI - Diesel Engine

MB91110	MD050011 MD103308	4D55T 4D55S	4	235	91.1	88.8	48.8-3	2.5K 2.0K	4	29	75	AL-FIN Diesel
MB91130	MD050021	4D55	4	180	91.1	88.8	48.8-3	2.0-2	4	29	75	AL-FIN Diesel
MB91140	MD182607 Cooling Channel MD182601 Cooling Channe	4D56T	2 2	235	91.1	88.8	48.8-3	2.5K 2.0K	4	29	75	AL-FIN Diesel
MB91150	MD367638 Cooling Channel MD367644 Cooling Channe	4D56T	2 2	95	91.1	88.8	48.8-2.6	2.5K 2.0K	4	29	75	AL-FIN Diesel
MB91160	MD050021	4D55T	4	180	91.1	88.8	48.8-3	2.5 2.0	4	29	75	AL-FIN Diesel
MB91170	MD103308	4D56	4	235	91.1	88.8	48.8-3	2.5K 2.0K	4	29	75	AL-FIN Diesel
MB91180	MD367335	4D55D	4	95	91.1	88.8	48.8-2.5	2.5 2.0	4	29	75	AL-FIN Diesel
MB91190	MD304835	4D56	4	95	91.1	88.8	48.8-2.5	2.5 2.0	4	29	75	AL-FIN Diesel
MB92010	31617-00106	4DR5 6DR5	4 6	50	92	99.5	52.5-3.4	2.5K 2.0-2	4.5	28	77	AL-FIN Diesel
MB92020	ME002044 ME002117	4DR51 4DR5NEW	4	95	92	99.8	52.8-2.6	2.5K 2.0-2	4.5	28	77	AL-FIN Diesel
MB94010	32A17-00100	S4S S4E6	4	50	94	90.1	55.1-4	2.5K 2.0	4.5	30	76.5	AL-FIN Diesel
MB94020	34417-04100	S4E	4	50	94	90	51.5-3.2	2.5K 2.0	4.5	28	77	AL-FIN Diesel
MB95010	ME200688 Cooling Channel	4M40T	4	111	95	91.7	51.7-2.9	2.5DK 2.0	4	30	78	AL-FIN Diesel
MB98010	34417-54100	S4E2	4	50	98	90.1	51.6-3.3	3.0K 2.0	5	28	77	AL-FIN Diesel
MB10010	ME012145 AL-FIN MD012131	4D31	4	158	100	110.7	60.7-10	3.0K 2.0	5	34	84	AL-FIN Diesel
MB10020	ME012090 AL-FIN ME012100/2000	4D30	4	95	100	110.5	60.5-2.7	3.0K 2.0	5	34	84	AL-FIN Diesel
MB10030	ME012131	4D31	4	158	100	110.7	60.7-10	3.0K 2.0	5	34	84	AL-FIN Diesel
MB10040	ME012858	4D31T	4	151	100	110.7	60.7-17	3.0K 2.0	4	34	84	AL-FIN Diesel
MB10050	ME012858	6D31T	6	151	100	110.7	60.7-17	3.0K 2.0	4	34	84	AL-FIN Diesel
MB10060	ME012906	4D31	4	158	100	110.7	60.7-18	3.0K 2.0	5	34	84	AL-FIN Diesel
MB10210	34317-01100	S6KT	6	151	102	97.8	57.8-13	3.0K 2.0K	4	34	84	AL-FIN Diesel
MB10410	ME012174	4D32	4	158	104	111	61-19.4	3.0K 2.0	4	34	84	AL-FIN Diesel
MB10420	ME012928 AL-FIN	4D34	4	158	104	112.1	62.1-20.8	2.8DK 2.0	4	34	84	AL-FIN Diesel
MB10430	ME014160 AL-FIN	4D34T	4	112	104	112.2	62.2-20.6	2.806DK 2.0	4	36	88	AL-FIN Diesel
MB10440	ME018274	4D32	4	112	104	111	61-18.7	2.806K 2.0	4	34	84	AL-FIN Diesel
MB10450	ME018277	4D34T	4	112	104	112.2	62.2-20.5	2.806DK 2.0	4	34	84	AL-FIN Diesel
MB10460	ME012901	4D34	4	158	104	112.2	62.2-20.3	2.806DK 2.0	4	34	84	AL-FIN Diesel



CAPT. PREMIUM PISTON

CAPT No.	Piston Part No.	Engine Code	No. of Cyl.	PISTON SPEC.				PISTON RING SPEC.		PISTON PIN SPEC.		Remark
				Head Shape	Cyl. Bore	Length	Comp. Distance	Comp. Ring	Oil Ring	Dia.	Length	

MITSUBISHI - Diesel Engine

MB10470	ME018283	4D36	4	133	104	110.6	60.6-4.5	3.0DK 2.0	4	34	84	AL-FIN Diesel
MB10480	ME220470 Cooling Channel	4D34T	4	151	104	112.2	62.2-22.6	2.806DK 2.0	4	36	88	AL-FIN Diesel
MB10490	ME013325	4D34T	4	112	104	112.1	62.1-20	2.806DK 2.0	4	36	84	AL-FIN Diesel
MB10810	ME013312	4D33	4	157	108	112.2	62.2-21	3.0 2.0	4	34	84	AL-FIN Diesel
MB10820	ME016895	4D33T	4	112	108	112.3	62.3-20.5	3.0 2.0	4	34	84	AL-FIN Diesel
MB10830	MD012897 ME016895	4D33	4	112	108	112.3	62.3-20.5	3.0 2.0	4	34	84	AL-FIN Diesel
MB11010	ME032742 ME032744	6D14T	6	59	110	116.1	71.1-21.5	3.0K 2.5	5	38	90	AL-FIN Diesel
MB11020	ME 032216 ME072022 AL-FIN	6D14 6D14-2A	6	59	110	116.1	71.1-21	3.0K 2.5	5	38	90	AL-FIN Diesel
MB11030	ME012905 ME014893 Cooling Channel	4D35	4	112	110	109.7	59.7-21.5	3.0 2.5	4	36	88.5	AL-FIN Diesel
MB11310	ME032480/032593 MD032634/033936	6D15	6	158	113	115.8	70.8-20.7	3.0K 2.5	5	38	90	AL-FIN Diesel
MB11320	ME033934	6D15T	6	59	113	116.1	71.1-23	3.0K 2.5	5	38	90	AL-FIN Diesel
MB11330	ME07255	6D15T	6	151	113	116.1	71.1-21.5	3.0DK 2.5	4	38	93	AL-FIN Diesel
MB11810	ME072445	6D16	6		118	116.1	71.1-21.8	3.0 2.5	4	38	92	AL-FIN Diesel
MB11820	ME072062/4	6D16T	6		118	116.1	71.1-23	3.0 2.5	4	38	92	AL-FIN Diesel
MB11830	ME072065	6D16C/T	6	158	118	116.2	71.2-21.5	2.806DK 2.5	4	38	92	AL-FIN Diesel
MB11840		6D16	6	59	118	116.2	71.2-21.8	3.0 2.5	4	38	92.5	AL-FIN Diesel
MB11850	ME072062/4	6D16	6	112	118	116.1	71.1-21.8	3.0 2.5	4	38	92	AL-FIN Diesel
MB11860	ME072396 ME072394	6D17	6	112	118	111.3	66.3-21.8	3.0 2.5	4	38	93	AL-FIN Diesel
MB13010	ME052902 AL-FIN	6D22	6	60	130	158	83-26	3.3DK 3.0	6	50	105	AL-FIN Diesel
MB13020	ME052902	6D22	6	60	130	158	83-26	3.3DK 3.0	4	50	105	Diesel
MB13030	ME052540	6D22T	6	60	130	158	83-21.5	3.3DK 3.0	6	50	105	AL-FIN Diesel
MB13040	ME052792 Cooling Channel	6D22-3AT	6		130							AL-FIN Diesel
MB13050	ME052809 ME052447	6D22	6	60	130	158	83.3-26	3.306DK 3.0	6	50	105	AL-FIN Diesel
MB13510		8DC-95A	8		135							AL-FIN Diesel
MB13520	ME121199	6D40	6	32	135	157.5	82.5-23.8	3.306DK 3.0	4	55	109	AL-FIN Diesel
MB13530	ME091048	8DC-92A	8	60	135	153.1	88.1-23	3.306DK 3.0-2	4	50	112	AL-FIN Diesel



CAPT. PREMIUM PISTON

CAPT No.	Piston Part No.	Engine Code	No. of Cyl.	PISTON SPEC.				PISTON RING SPEC.		PISTON PIN SPEC.		Remark
				Head Shape	Cyl. Bore	Length	Comp. Distance	Comp. Ring	Oil Ring	Dia.	Length	

NISSAN - GASOLINE ENGINES

NS73001	12010-H1001/11/12 12010-H1014,H1061	A12	4	02	73	67.6	32.6-1.6	2.0-2	4	17.45	65	
NS73601	12010-87A61	GA14DS	4		73.6	54.6	32.6-3.8	1.5-2	2.8	19	50	
NS75501		H15	4	01	75.5	71	41	2.0 2.5	4	20	57	
NS76001	12011-15M00	E15	4	179	76	62.5	32.5-9.7	1.5-2	4	19	62	
NS76002	12010-H7511/7521 -H7685/H8911	A14S	4	02	76	67.5	33-4.2	2.0-2	4	19	63	
NS76003	12010-H9800	A15	4	65	76	65	30-6.5	1.2 2.0	4	19	63	
NS76004	A2010-1L000	VQ20	6	02	76	58.5	30.5-1	1.2-2	2.5	22	48	
NS76005	12010-74Y00	GA16DS/ GA16	4	05	76	54	29.5-4.8	1.5-2	2.8	19	52	
NS77901	12011-D1110/11 12010-06E01/11	CA16	4	118	77.95	66.6	30+1.6	1.5-2	4	20	61	
NS77902	A2010-V6961	VG20E	6	165	77.95	67.4	30.6+1.8	1.5-2	2.8	20	57	
NS78001	12010-03L02 12010-14S01	L20E	6	02	77.95	75	40-0.5	1.5 2.0	4	20	61	
NS78002	12010-E3001	J15	4	01	77.95	79.2	39.7	2.0-2	4	21	66.5	
NS78003	A2010-V6961	VG20E	6	165	77.95	67.4	30.6+1.8	1.5-2	2.8	20	57	
NS83001	12010-27L02	L24	6	02	83	78	38-1.3	1.5 2.0	4	21	72	
NS83002	12010-H2501	L14	4	02	83	78	38-1.6	2.0-2	4	21	72	
NS83003	12010-01F00	CA18	4	103	83	65	30	1.5-2	4	20	61	
NS83004	12010-E3101	L26	4	02	83	78	38-1	2.0-2	4	21	72	
NS83005	12010-W3102	L24E	6	02	83	65.6	38.1-0.3	1.5-2	4	20	61	
NS83006		Z16	4	186	83	79	39-0.8	2.0-2	4	21	67	
NS83007	12010-W3102	L24E	6	02	83	65.6	38.1-0.3	1.5-2	4	20	61	
NS83008	12010-W7111	Z16	4	186	83	79	39-0.8	2.0-2	4	21	67	
NS84501	12010-D1801	CA20	4	124	84.5	65	30.1	1.5-2	4	20	61	
NS84502	12010-D5501	CA20E	4	124	84.5	65	30.1	1.5-2	4	20	61	
NS84503	12010-61E01	CA20S	4	124	84.5	57.5	30-1.5	1.5-2	2.8	20	61	
NS84504	12010-D1801	CA20S	4	124	84.5	65	30.1	1.5-2	4	20	61	
NS84505	12010-D5501	CA20E	4	124	84.5	65	30.1	1.5-2	4	20	61	
NS84506	12010-61E01	CA20S	4	124	84.5	57.5	30-1.5	1.5-2	2.8	20	61	
NS85001	12010-W1411/1461 12010-W1423	E25 Z20E Z20S	4	124	85	67	32-3.7	1.5-2	4	21	72	
NS85002	12010-W1461	Z20	4	124	85	67	32-3.6	1.5-2	4	21	71	



CAPT. PREMIUM PISTON

CAPT No.	Piston Part No.	Engine Code	No. of Cyl.	PISTON SPEC.				PISTON RING SPEC.		PISTON PIN SPEC.		Remark
				Head Shape	Cyl. Bore	Length	Comp. Distance	Comp. Ring	Oil Ring	Dia.	Length	

NISSAN - GASOLINE ENGINES

NS85003	12010-N8701	Z20E	4	124	85	67	32-3.6	1.5-2	4	21	71	
NS85004	12010-A8711	L18K	4	02	85	78	38-2	2.0-2	4	21	72	
NS85005	12010-W1411	E25	4	124	85	67	32-3.7	1.5-2	4	21	72	
NS85006	12010-W1461	Z20	4	124	85	67	32-3.6	1.5-2	4	21	71	
NS85007	12010-N8701	Z20E	4	124	85	67	32-3.6	1.5-2	4	21	71	
NS85008	12010-A8711	L18	4	02	85	78	38-2	2.0-2	4	21	72	
NS85701	12010-58000/58100 C6000/C8010	P40 P680	6	01	85.69	94.5	53.3	2.5-2	4.7	20.64	74	
NS85702	12010-58000	P40	6	01	85.7	94.5	53.3	2.5-2	4.7	20.64	74	
NS86001	12010-Y4111	L28F	6	02	86	78	38-3	2.0-2	4	21	72	
NS86002	12010-85G00 12010-85G02	NA20	4	26	86	70	38.5-8.4	1.5-2	4	21	64	
NS86003	12010-03J64	SR20	4	02	86	63	32-0.9	1.5-2	3	22	60	
NS86004	12010-4111	L28	6	02	86	78	38-3	2.0-2	4	21	72	
NS86005	12010-85G00	NA20	4	26	86	70	38.5-8.4	1.5-2	4	21	64	
NS86006	12010-03J64	SR20	4	02	86	63	32-0.9	1.5-2	3	22	60	
NS87001	12010-21P61 12010-V7101	VG30	6	207	87	67.05	31.9	1.5-2	2.8	21	64	
NS87002	12010-21P61 12010-V7101	VG30-2	6	207	87	67.05	31.9	1.5-2	2.8	21	64	
NS87201	12010-74001 12010-74510	H20 E23	4	02	87.2	84	41-1.8	2.0 2.5	4	22	72	
NS87202		H20 NEW	4	02	87.2	71	41-1.6	2.0 2.5	4	20	64	
NS89001	12010-83W01	Z24	4	02	89	70.5	34-4	2.0 1.5	4	21	66.5	
NS89002	12010-30W01	Z24S	4	237	89	70.5	34-4	1.5-2	4	21	66	
NS89003	A2010-5V110	KA24DE	4	2	89	61	34-6.5	1.2-2	2.5	21	57	
NS89004	A2010-5V110	KA24DE	4	2	89	61	34-6.5	1.2-2	2.5	21	57	
NS89005	12010-83W01	Z24	4	237	89	70.5	34-4	2.0 1.5	4	21	66.5	
NS89006	12010-30W01	Z24S	4	237	89	70.5	34-4	1.5-2	4	21	66	
NS89007	A2010-5V110	KA24DE	4	2	89	61	34-6.5	1.2-2	2.5	21	57	
NS96001	12010-54N61	TB42E	6	01	96	80	40.5	2.0-2	4	23	76	



CAPT. PREMIUM PISTON

CAPT No.	Piston Part No.	Engine Code	No. of Cyl.	PISTON SPEC.				PISTON RING SPEC.		PISTON PIN SPEC.		Remark
				Head Shape	Cyl. Bore	Length	Comp. Distance	Comp. Ring	Oil Ring	Dia.	Length	

NISSAN-Diesel Engine

NS80010	12010-17A04 12010-17A02 AL-FIN	CD17 B12	4	133	80	71.1	41.1-1.8	1.8 2.0	3	24	63	AL-FIN Diesel
NS83010	12010-Y5210/1	SD22-5G	4	164	83	96.2	48.2-2.2	2.5 2.0-2	4.5	26	71	Diesel
NS83020	12010-J5310	SD33	6	164	83	96.2	48.2-2.2	2.5 2.0-2	4.5	26	71	Diesel
NS83030	12010-Y5210/1	SD22-5G	4	164	83	96.2	48.2-2.2	2.5 2.0-2	4.5	26	71	Diesel
NS85010	12010-G5502	LD20 II LD20NEW	4	249	85	78	46.5-2.8	2.0-2	4	25	67	AL-FIN Diesel
NS89010	12010-02N17 12010-02N07	TD23	4	111	89	84	48.2-1.8	2.5 2.0	4	26	74	AL-FIN Diesel
NS89020	12010-T6212	SD23	4	163	89	90	48-1.5	2.5 2.0	4.5	26	74	Diesel
NS89030	12010-T6202	SD23	4	163	89	90	48-1.5	2.5 2.0	4.5	26	74	AL-FIN Diesel
NS89040	12010-T7204 -T7205	SD25E	4	163	89	90	48-1.5	2.5 2.0	4.5	26	74	AL-FIN Diesel
NS92910	12010-44G02 AL-FIN 12010-44G12/1	TD25	4	111	92.9	87	50.3-1.7	2.5 2.0	4	28	80	AL-FIN Diesel
NS96010	12010-10T12 12010-10T02 AL-FIN	TD27 TD42	4 6	111	96	87	50.3-1.6	2.5 2.0	4	28	80	AL-FIN Diesel
NS96020	12010-54N61	TB42E	6	01	96	80	40.5	2.0-2	4	23	76	AL-FIN Diesel
NS96030	12010-6T000	TD27 (New)	4	138	96	86	50.3-1.7	2.5 2.0	3	30	75	AL-FIN Diesel
NS96040	12010-43G12	TD42	6	111	96	87	50.3-1.6	2.5 2.0	4	28	80	AL-FIN Diesel
NS96050	12010-69T05 Cooling Channel	BD30T	4	241	96	89.7	53.2-21	2.5K 2.0	3	30	80	AL-FIN Diesel
NS96060	12010-31N03	TD27T	4	111	96	87	50.3-2.4	2.5K 2.0	4	30	80	AL-FIN Diesel
NS98010	12010-J2000/1	ED30	4	111	98	103	59-1.5	3.0 2.0-2	4.5	32	85	AL-FIN Diesel
NS98020	12010-J2000	FD30	4	111	98	103	59-1.5	3.0 2.0-2	4.5	32	85	AL-FIN Diesel
NS99210	12010-2S606	QD32	4	138	99.2	69.8	45.3-2.2	2.5 2.0	3	33	78	AL-FIN Diesel
NS10010	12010-T9010	ED33	4	111	100	103	59-2	3.0 2.0	4.5	34	85	AL-FIN Diesel
NS10020	12011-Z5572	FD6TC	6	100	100	109.5	66.5-21.5	3.0K 2.0	4.5	34	85	AL-FIN Diesel
NS10030	12011-Z5576	FD6	6	158	100	109.5	66.5-18.5	3.0 2.0	4.5	34	85	AL-FIN Diesel
NS10210	12010-01T14 12010-01T04 AL-FIN	FD35	4	59	102.5	98.3	59.3-16.7	2.0-2	4	34	85	AL-FIN Diesel
NS10210	12010-01T13 12010-01T03 AL-FIN	FD35T	4	59	102.5	98.3	59.3-16.7	3.0K 2.0	4	34	85	AL-FIN Diesel
NS10810	12011-Z5507	FE6TA	6	158	108	103.6	65.6-19.6	3.0K 2.0	4	36	93	AL-FIN Diesel
NS10820	12010-96507 12010-Z5702	FE6T	6	158	108	103.6	65.6-19.6	3.0K 2.0	4	36	93	AL-FIN Diesel
NS10830	12011-Z5768	FE6TN	6	158	108	103.6	65.6-21	2.5K 2.0	4	36	93	AL-FIN Diesel



CAPT. PREMIUM PISTON

CAPT No.	Piston Part No.	Engine Code	No. of Cyl.	PISTON SPEC.				PISTON RING SPEC.		PISTON PIN SPEC.		Remark
				Head Shape	Cyl. Bore	Length	Comp. Distance	Comp. Ring	Oil Ring	Dia.	Length	

SUZUKI

SK59001		9.9 HP 12HP	1	14	59	61	27+4	1.5- 2K2		14	52.5	
SK61001	12110-67001/7	L50 ST30	3	14	61	70.8	32+3.8	1.2K 2.0K		16	52.5	
SK61002	12110-72110 -67002	LJ50 ST10	3	14	61	70.8	32+3.8	1.2K 2.0K		16	52.5	
SK62001	12110-78110	ST90 F5A	4	207	62	57.5	27.5	1.5-2	2.8	16	50	
SK62002		462B	4	207	62	55.5	35	1.5-2	2.8	16	49.5	
SK65501	12111-75107	F10A	4	185	65.5	55	24.4-2	1.5-2	2.8	16	53.5	
SK65502	12111-85201	F10A	4	185	65.5	55	24.5-2	1.5-2	2.8	16	53.5	
SK65503	12111-75107	ST100	4	185	65.5	55	24.6-2	1.5-2	2.8	16	52	
SK65504	12111-75107	465Q/ ST100	4	185	65.5	55	24.4-2	1.5-2	2.8	16	53.5	
SK65505	12111-75107	JL465Q2	4	185	65.5	55	24.5-0.5	1.5-2	2.5	16	53.5	
SK65506	12111-75107	465QEA	4	185	65.5	55	24.5-2	1.5-2	2.8	16	53.5	
SK66001	12111-75107	JL465Q1-E	4	185	66	54	23.5-3	1.5-2	2.8	16	53.5	
SK68501	12111-78400/02	F8B	3	185	68.5	55	25	1.5-2	2.8	16	53.5	



CAPT. PREMIUM PISTON

CAPT No.	Piston Part No.	Engine Code	No. of Cyl.	PISTON SPEC.				PISTON RING SPEC.		PISTON PIN SPEC.		Remark
				Head Shape	Cyl. Bore	Length	Comp. Distance	Comp. Ring	Oil Ring	Dia.	Length	

TOYOTA - GASOLINE ENGINES

TA70501	13101-10041	1E-L	4	225	70.5	56.0	28	1.5-2	3.0	18	59.5	
TA72001	13101-12010	2K	4	01	72	72	36	2.0-2	4	18	58	
TA73001	13101-11050	2E	4	226	73	58	30-9	1.5-2	3	18	59	
TA73002	13101-11080	3E	4	236	73	62	30-3	1.5-2	3	18	59	
TA74001	13101-55020	1N	4	138	74	67.5	38.5-2.0	1.5K 1.5	3.0	23.5	58	
TA75001	13101-13021/22 13101-32020	4KE	4	215	75	69	36-6.8	1.5-2	4	18	61	
TA75002	13101-24011	3K 4K	4	01	75	75	35.98	2.0-2	4	18	61	
TA75004		1G	6	237	75	62.6	32.6-4.4	1.2 1.5	4	20	61	
TA76001	13101-14020	2A	4	216	76	65	34-2.2	2.0-2	4	18	61	
TA76601	13101-96001	4P	4	03	76.6	72.4	34.4-3.5	2.0-2	4	20	65	
TA76602	13101-78001	4P	4	01	76.6	71	33	2.0-2	4	20	65	
TA77501	13101-15020	3A	4	216	77.5	61	31-3	1.5-2	2.8	18	61	
TA78701	13101-15030-01	5AF	4	238	78.7	59.6	30.6-1.8	1.5-2	3	18	61	
TA78702	13101-14050	8A-FE	4	222	78.7	63.6	34.5+1.1	1.2 1.5	3	20	57	
TA78703	13101-15040-01	5A-F	4	238	78.7	59.6	30.6-1.8	1.5-2	3	18	61	
TA78704		5A	4	218	78.7	55.5	30.5-2	1.2 1.5	3	20	57	
TA78705	13101-15050-02	5A-FE	4	218	78.7	55.5	30.5-1.5	1.2 1.5	3.0	20	56	
TA80501	13101-63010/20	1SL, 1S-U	4	214	80.5	68	33-2	1.5-2	4	20	66	
TA80502	13101-13030	5K	4	215	80.5	69	36-9	1.5-2	4	18	61	
TA80503	13101-31020/21	12R	4	01	80.5	80	39	2.0-2	4	20	66	
TA80504	13101-06030-01	7k	4	214	80.5	58.7	33.7-9.4	1.5-2	4	20	56	
TA81001	13101-16030	4AF	4	198	81	61	30.5-2.8	1.5-2	2.8	18	61	
TA81002	13101-16010	4A	4	219	81	60.7	30.7-3.2	1.5-2	2.8	18	61	
TA81003	13101-16150 13101-16160	7AFE	4	237	81	55.7	30.5-3.5	1.2 1.5	3	20	56	
TA81004	13101-16020	4AG	4	222	81	64.5	30.5-1	1.5-2	2.8	18	61	
TA81005	13101-16020	4AGEC	4	222	81	64.5	30.5-1	1.5-2	2.8	18	61	
TA82501	13101-74071	4S	4	217	82.5	70.4	35.4-3.2	1.5-2	4	20	66	
TA83001	13101-43030/31	5M	6	199	83	71	33-3.9	2.0-2	4	22	66	
TA84001	13101-37050	21R-C	4	121	84	84	39+5	1.5 2.0	4	22	72	



CAPT. PREMIUM PISTON

CAPT No.	Piston Part No.	Engine Code	No. of Cyl.	PISTON SPEC.				PISTON RING SPEC.		PISTON PIN SPEC.		Remark
				Head Shape	Cyl. Bore	Length	Comp. Distance	Comp. Ring	Oil Ring	Dia.	Length	

TOYOTA - GASOLINE ENGINES

TA85001	13101-18010	13T	4	220	85	88.8	35.1+11.7	1.5-2	4	22	66	
TA85002	13101-28010	3T,13TU RT130	4	85	85	82.3	35+5.3	1.5-2	4	22	66	
TA85003	13101-26010/11/30	2T	4	85	85	90.6	39.3+5.6	2.0-2	4	22	66	
TA86001	13101-75010	1RZ	4	216	86	67.5	35.5-4.5	1.75 1.5	4	24	61	
TA86002	13101-73020	3YC	4	224	86	70	35-10	1.5-2	4	22	66	
TA86003	13101-71010	1Y	4	213	86	74	39	1.5-2	4	22	66	
TA86004	13101-71010	2Y	4	214	86	70	35-2.4	1.5-2	4	22	66	
TA86005	13101-46031	IJZ	6	186	86	65	34-1.2	1.5-2	4	22	66	
TA86006	13101-73010	3Y	4	214	86	70	35-5	1.5-2	4	22	66	
TA86007	13101-74100	3S	4	217	86	68.4	35.4-4.4	1.5-2	4	20	66	
TA86008	13101-75030	IRZB	4	224	86	67.6	35.6-7	1.75 1.5	4	24	61	
TA86009	13101-74170-01	3S-F, 3S-FE	4	238	86	65.5	35-3.4	1.5-2	4	22	66	
TA87001	13101-74130 13101-03030	5S	4	217	87	63	32.5-4.6	1.5-2	4	22	66	
TA87501	13101-62020	2VZ	6	218	87.5	65.1	2.3-2.1	1.5-2	3.0	21	63	
TA87502	13101-62040	3VZ	6	218	87.5	61.8	34.1-3.2	1.5-2	4.0	22	62	
TA87503	13101-65040-01(L) 13301-	3VZE	3	215	87.5	63	34-3.3	1.5-2	4	21	63	
TA88001	13101-44011/14	5R	4	192	88	85	39	2.0 2.5	4	22	75	
TA88501	13101-34010 -34030/40	18R	4	192	88.5	84.8	39.8	2.0 2.5	4	22	75	
TA91001	13101-73030	4Y	4	219	91	65	35-6.4	1.5-2	4	22	66	
TA91002		4Y-B	4	191	91	58	35-6	1.5-2	4	22	67	
TA92001	13101-35030/31	22RE	4	199	92	64	35-2.4	1.5-2	4	22	71	
TA92002	13101-35032-02	22RZFE	4	199	92	64	35-2.4	1.5-2	4	22	70.5	
TA94001	13101-61010/11	2F	6	121	94	95.7	47.5+0.2	2.0 2.5	4	25.15	72	
TA94002	13101-61030	3F	6	121	94	79.7	37.2+0.5	1.5-2	4	22	75	
TA95001	13101-75020	2RZE	4	216	95	67.5	35.5-6	1.75 1.5	4	24	70	
TA95002	13101-76041	2TZ-FE	4	94	95	67.5	35.5-2.3	1.75 1.5	4	24	70	
TA95003	13101-75070 13101-75071	2RZFE	4	219	95	59	35.5-0.6	1.5-2	4	24	70	
TA95004	13101-75050	3RZ	4	224	95	61	37.5-5	1.75 1.5	4	24	70	
TA95005	13101-75080	2RZ-E	4	214	95	59	35.5-5.6	1.75 1.5	4	24	70	



CAPT. PREMIUM PISTON

CAPT No.	Piston Part No.	Engine Code	No. of Cyl.	PISTON SPEC.				PISTON RING SPEC.		PISTON PIN SPEC.		Remark
				Head Shape	Cyl. Bore	Length	Comp. Distance	Comp. Ring	Oil Ring	Dia.	Length	

TOYOTA - GASOLINE ENGINES

TA10001	13101-66021-01	1FZ	6	198	100	76.1	42.1-3.9	1.75 1.5	4	26	63	
TA10002	13101-66040-02	1FZ-FE	6	255	100	76.1	42.1-2.5	1.75 2.0	4	26	63	



CAPT. PREMIUM PISTON

CAPT No.	Piston Part No.	Engine Code	No. of Cyl.	PISTON SPEC.				PISTON RING SPEC.		PISTON PIN SPEC.		Remark
				Head Shape	Cyl. Bore	Length	Comp. Distance	Comp. Ring	Oil Ring	Dia.	Length	

TOYOTA - DIESEL ENGINES

TA74010	13101-55020	1N	4		74	67.5	38.5-2.0	1.5K 1.5	3.0	23.5	50	Diesel
TA83010	13101-64040	1CT	4	138	83	77.0	47-1.0	2.0K 2.0	4.0	27	58	AL-FIN Diesel
TA86010	13101-64141	2CD	4	95	86	77	47-1.4	2.0K 2.0	3	27	58	AL-FIN Diesel
TA86020	13101-78021	1DZ	4	105	86	77	47-2.8	2.0K 2.0	4	27	58	AL-FIN Diesel
TA86030	13101-64191 13101-64151	3CT	4	138	86	72.5	42.5-3.0	2.0K 2.0	3	27	61	AL-FIN Diesel
TA86040	13101-64090-02	2C	4	138	86	77	47-1.4	1.75K 2.0	3	27	58	AL-FIN Diesel
TA88010	13081-480132	2J-4G	4	95	88	102.3	52.3-2	2.5K 2.5-2	4	27	74	AL-FIN Diesel
TA88020	13081-47013	2J/3G	4	239	88	102.2	52.2-3.0	2.5K 2.5	4	27	74	AL-FIN Diesel
TA88030	13081-48014	2J/3G	6	239	88	102.2	52.2-3.0	2.5K 2.5	4	27	74	AL-FIN Diesel
TA90010	13101-54040	L (New)	4	239	90	99.2	52.2-1.4	2.0K 2.0	4	27	74	AL-FIN Diesel
TA90020	13101-54010	L/OLD LN30	4	239	90	99.3	52.3-1.5	2.5 2.0	4	27	74	AL-FIN Diesel
TA91010	13101-68010	2H	6	105	91	102.2	52.2-3.2	2.5K 2.5	4	29	74	Diesel
TA92010	13101-54060-02	2L	4	105	92	86.2	49.2-1.4	2.0K1 2.0	4	27	74	AL-FIN Diesel
TA92020	13101-54070-03	2L(New)	4	138	92	80.4	44.4-1.6	2.0K 2.0	4	27	70	AL-FIN Diesel
TA92030	13101-54090	2LTA	4	138	92	80.3	44.3-1.9	2.0K 2.0	4	29	74	AL-FIN Diesel
TA92040	13101-54030 13101-54080	2LT	4	105	92	86.2	49.2-1.3	2.0K 2.0	4	29	74	AL-FIN Diesel
TA94010	13101-17010-02	1HZ	6	95	94	80.6	43.6-1.6	2.0K 2.0	4	29	65	AL-FIN Diesel
TA95010	13101-56021 13081-56011	B-3G B(New)	4	239	95	101.3	51.3-2.6	2.5K 2.5	4.5	29	79	AL-FIN Diesel
TA95020	13101-56010 13101-56020	B(Old)	4	95	95	101.3	52.3-2.6	2.5K 2.5-2	4.5	29	79	AL-FIN Diesel
TA95030	13101-56050	11B B(New)	4	138	95	101.3	52.3-2.6	2.5K 2.0	4	29	79	AL-FIN Diesel
TA95040	13101-56041 13101-56042	11B/OLD	4	108	95	98.4	63.4-18.5	2.5-2	4.5	34	76	AL-FIN Diesel
TA95050	13101-56041 13101-56042	BU65 11B/OLD	4	108	95	98.4	63.4-18.5	2.5-2	4.5	34	76	AL-FIN Diesel
TA96010	13101-54100 13101-54101AL-FIN	3L	4	95	96	80.5	42.5-2.5	2.0K1 2.0	4	29	74	AL-FIN Diesel
TA96020	13101-78300 13101-96300	1Z	4	112	96	94.5	56.5-15.5	2.0-2	4	32	77	Diesel
TA96030	13101-67030-01 Cooling Channel	1KZ	4	95	96	80.8	45.8-2.4	2.0K 2.0	3.0	34	73	AL-FIN Diesel
TA98010	13101-78700	2Z	4	112	98	88	50-15.5	3.0K 2.0	5	32	77	AL-FIN Diesel
TA98020	13101-78700	2Z	4	112	98	88	50-15.5	2.0-2	4	32	77	AL-FIN Diesel
TA98030	13101-78761	13Z	4	112	98	94.5	56.5-17.5	2.0-2	4.0	32	77	AL-FIN Diesel



CAPT. PREMIUM PISTON

CAPT No.	Piston Part No.	Engine Code	No. of Cyl.	PISTON SPEC.				PISTON RING SPEC.		PISTON PIN SPEC.		Remark
				Head Shape	Cyl. Bore	Length	Comp. Distance	Comp. Ring	Oil Ring	Dia.	Length	

TOYOTA - DIESEL ENGINES

TA99510	13101-54120-02 13101-54170	5L	4	111	99.5	80.3	42.3-2.4	2.0K 1.5	4	29	74	AL-FIN Diesel
TA10210	13101-58020 13101-58021	13B	4	158	102	104.5	63.5-22	2.5-2	4.5	34	84	AL-FIN Diesel
TA10220	13101-58041-03	14B	4	247	102	87	52-18.7	2.5 2.0	4	32	72	AL-FIN Diesel
TA10230	13101-58011	3B	4	253	102	101.2	52.2-5	2.5K 2.5	4.5	32	84	Diesel
TA10240	13101-58060	14BT	4	247	102	94.8	59.8-19	3.0K 2.0	4	34	79	AL-FIN Diesel
TA10510	13101-77021	2D-4G (New)	6	164	105	133.2	73.2-1.2	3.0K1 2.5-2	5	34	88	AL-FIN Diesel
TA10520	13101-77013-03	2D(Old)	6	126	105	138	73-10	3.0-3	5.0-2	34	88.5	AL-FIN Diesel
TA10530	13101-77021	2D N/M	6	164	105	133.2	73.2-1.2	3.0K 2.5-2	5	34	88	AL-FIN Diesel
TA10810	13101-58090-01 13101-58080	15BF	4	151	108	94.6	59.6-21.2	3.0K 2.0	4.0	34	73	AL-FIN Diesel
TA10820	13101-58081 13101-58101 Cooling Channel	15BT	4	157	108	94.6	59.6-20	3.0K 2.0	4	34	73	AL-FIN Diesel



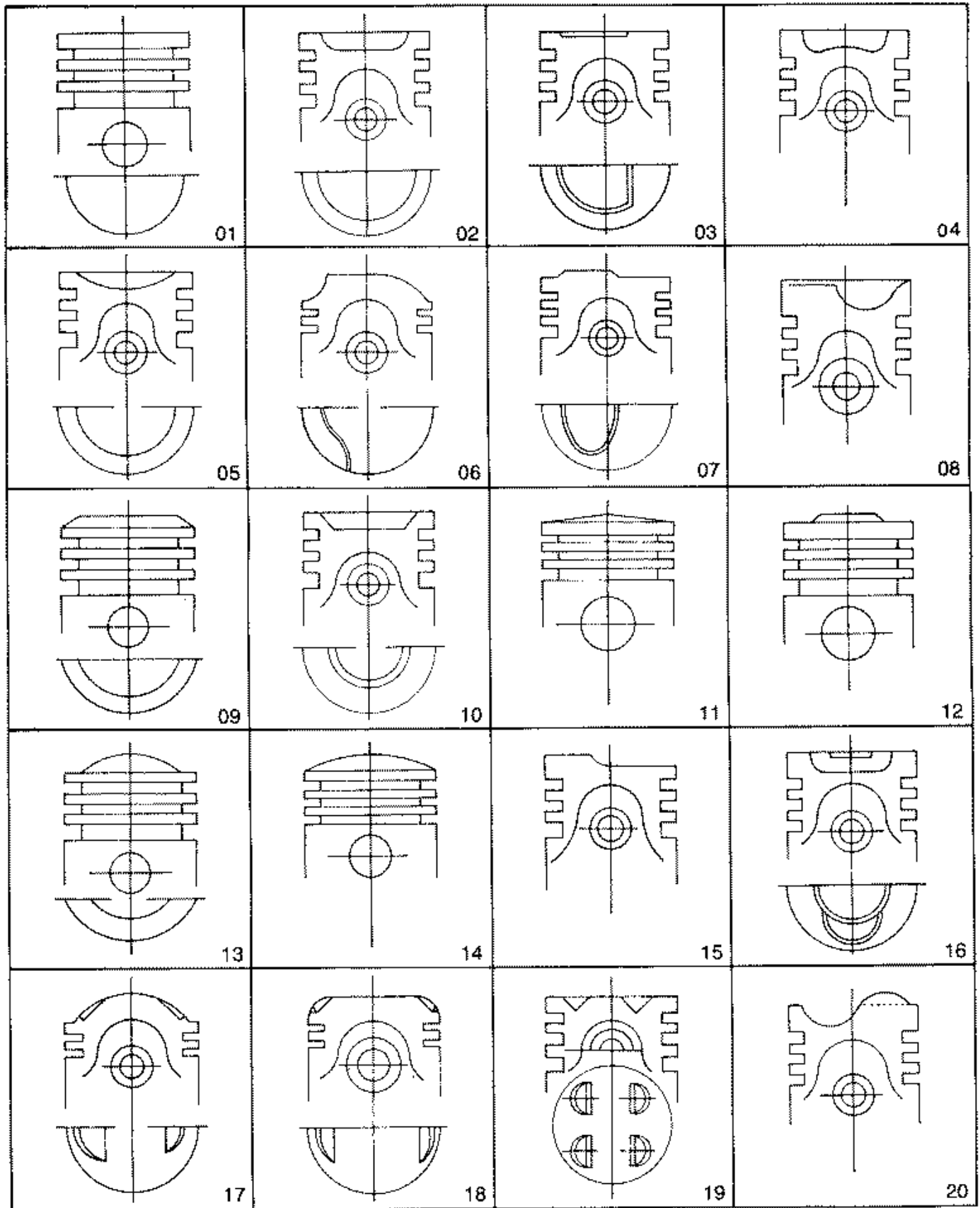
CAPT. PREMIUM PISTON

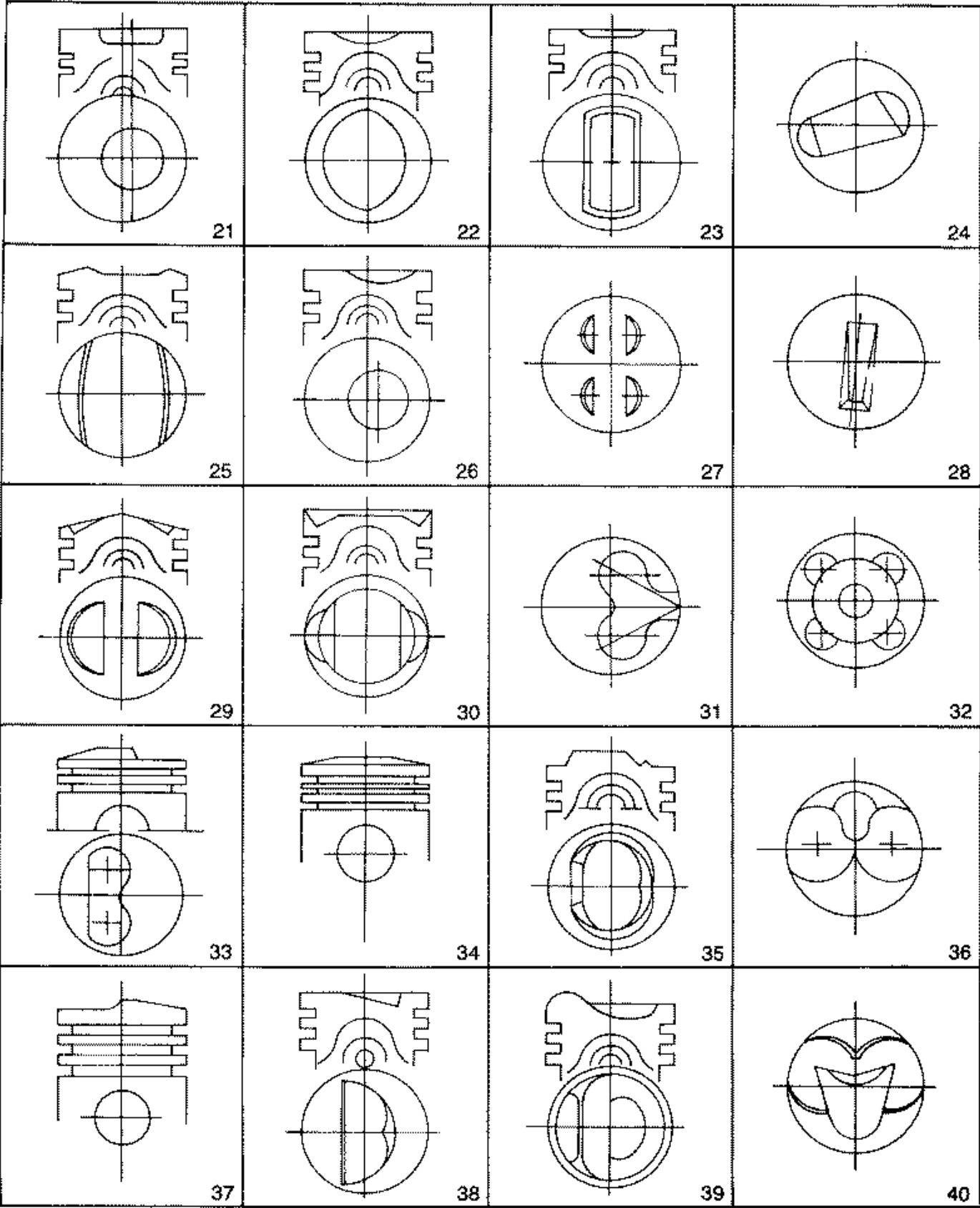
CAPT No.	Piston Part No.	Engine Code	No. of Cyl.	PISTON SPEC.				PISTON RING SPEC.		PISTON PIN SPEC.		Remark
				Head Shape	Cyl. Bore	Length	Comp. Distance	Comp. Ring	Oil Ring	Dia.	Length	

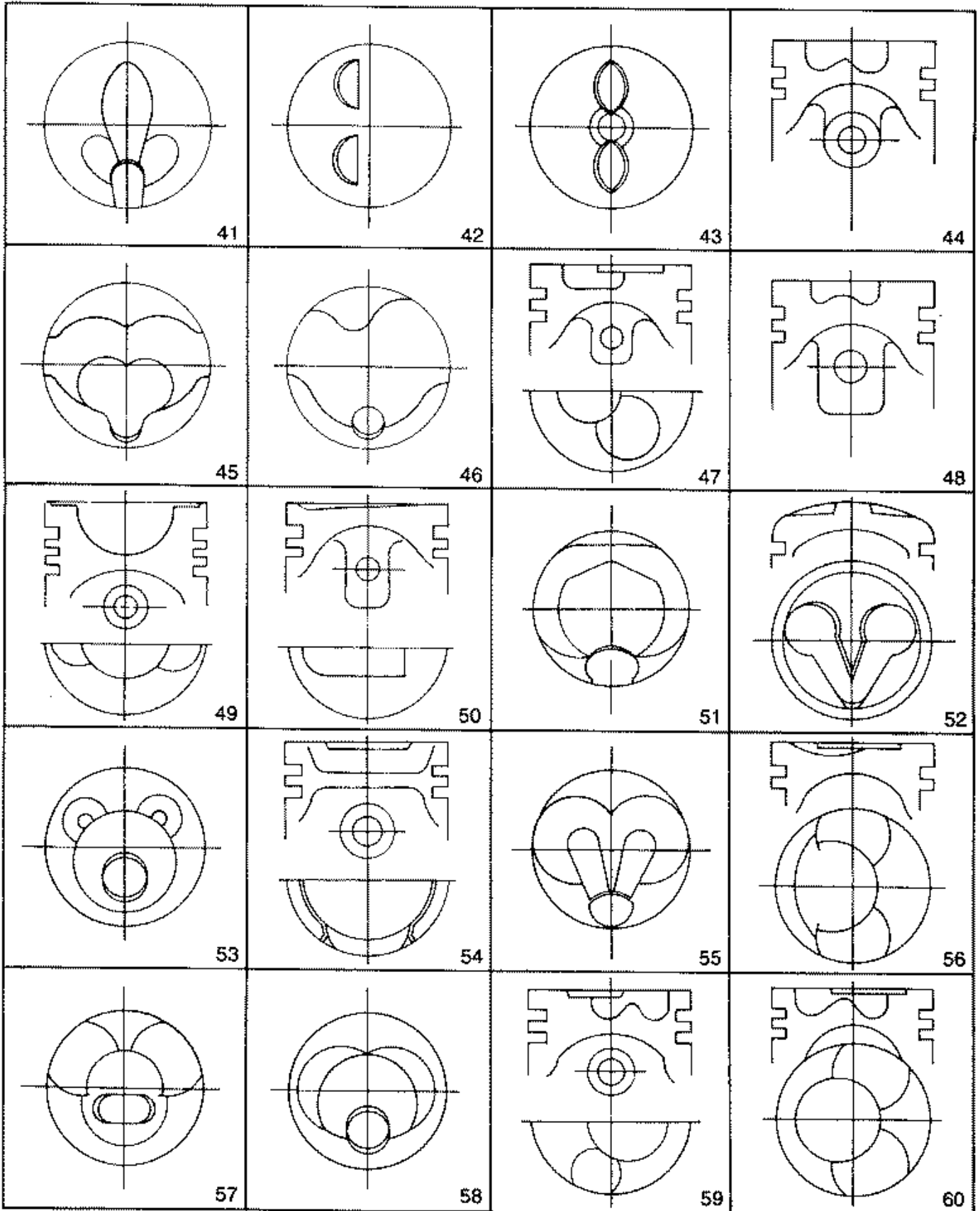
Others Application

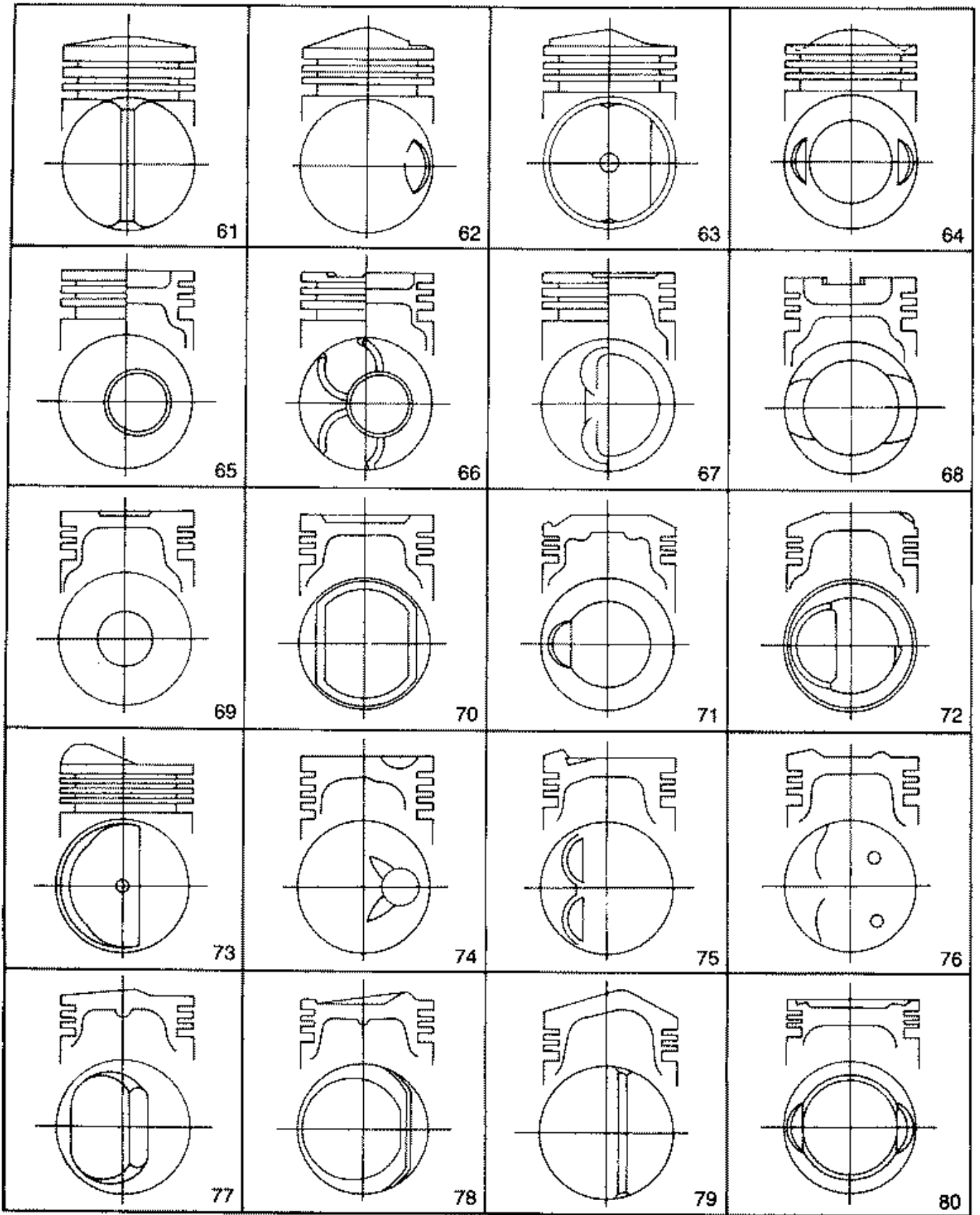
OT113	12111-A78B01-0B0	TIC0	3	185	68.5	55.0	25-2.5	1.2 1.5	2.8	16	53	DAEWOO
OT107		TU3JP/ 475 1.36	4	02	75	64.0	40.7-1	1.75 2.0	3.0	19.485	61	
OT111	4481500	LADA2106	4	01	79	77.2	38.2	1.5 2.0	3.95	22	67	
OT103		AVANGER /XL1768	4	02	87.4	76.0	44.2-4.8	2.0-2	4.0	23.82	74.5	
OT108		CA488-3	4	224	87.5	71.3	40.4-3	1.5-2	4.0	22.89	74	
OT109		4GE	4	81	87.5	71.3	40.4-1.6	1.5-2	4.0	22.89	74	
OT116	5019316AA	NP11-806 V6 226CI	6	01	93	54.0	32	1.5-2	3.0	24.022	59	CHRYSLER
OT117	5012362AE	NP11-807 V8 289CI	8	01	93	54.0	32	1.5-2	3.0	24.022	59	CHRYSLER
OT106		CA498	4	112	98	89.6	53.1-20.8	2.5 2.0	4.0	31	82.5	
OT112		BOAT	6	60	110	121.0	71-20	3.0K 2.5	5.0	42	94	AL-FIN Diesel
OT115		8ASJ17		137	170	215.0	125.1-20	5.0-2	6.0	55	140	Boat

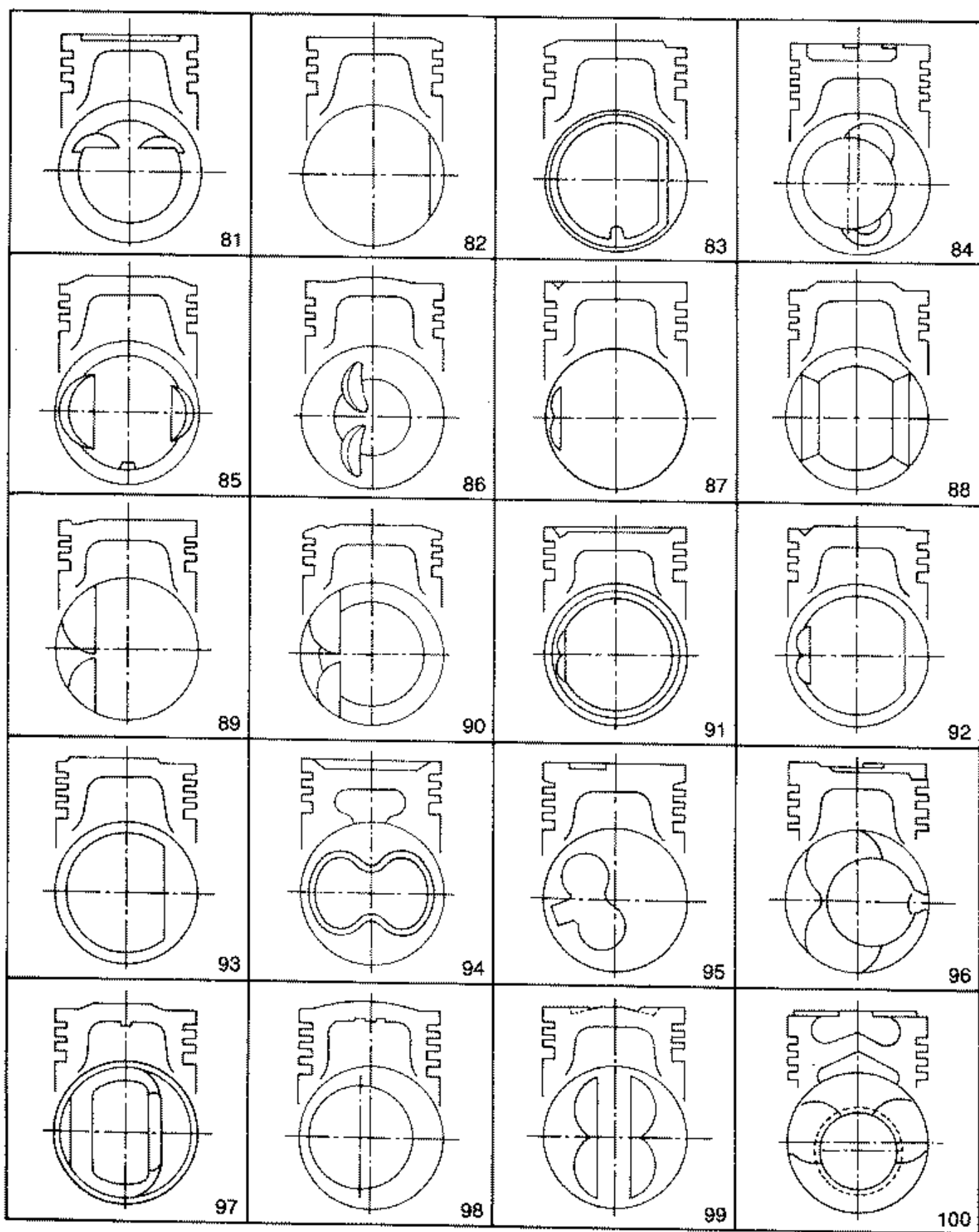
CAPT. PISTON HEAD SHAPE(CROWN)

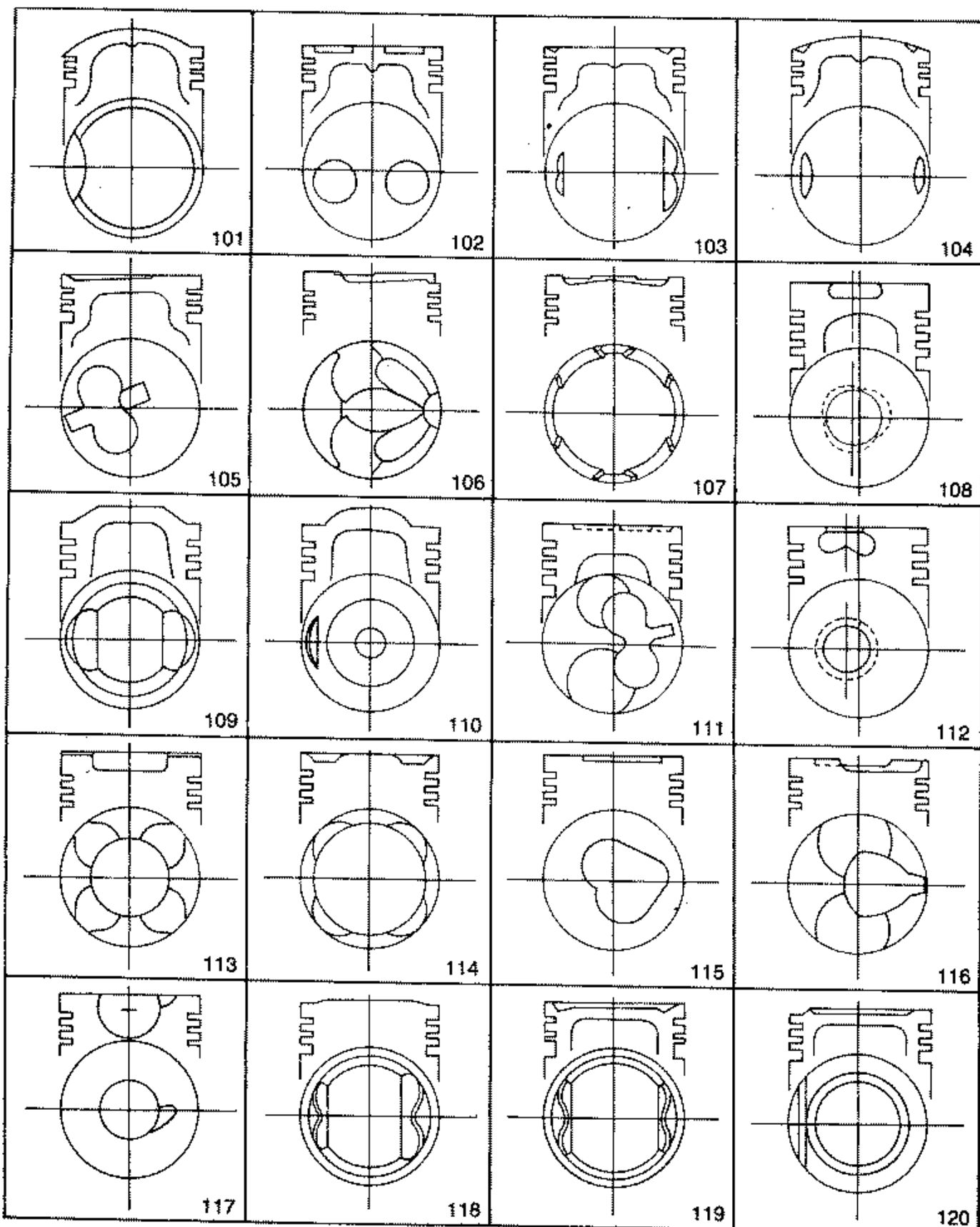


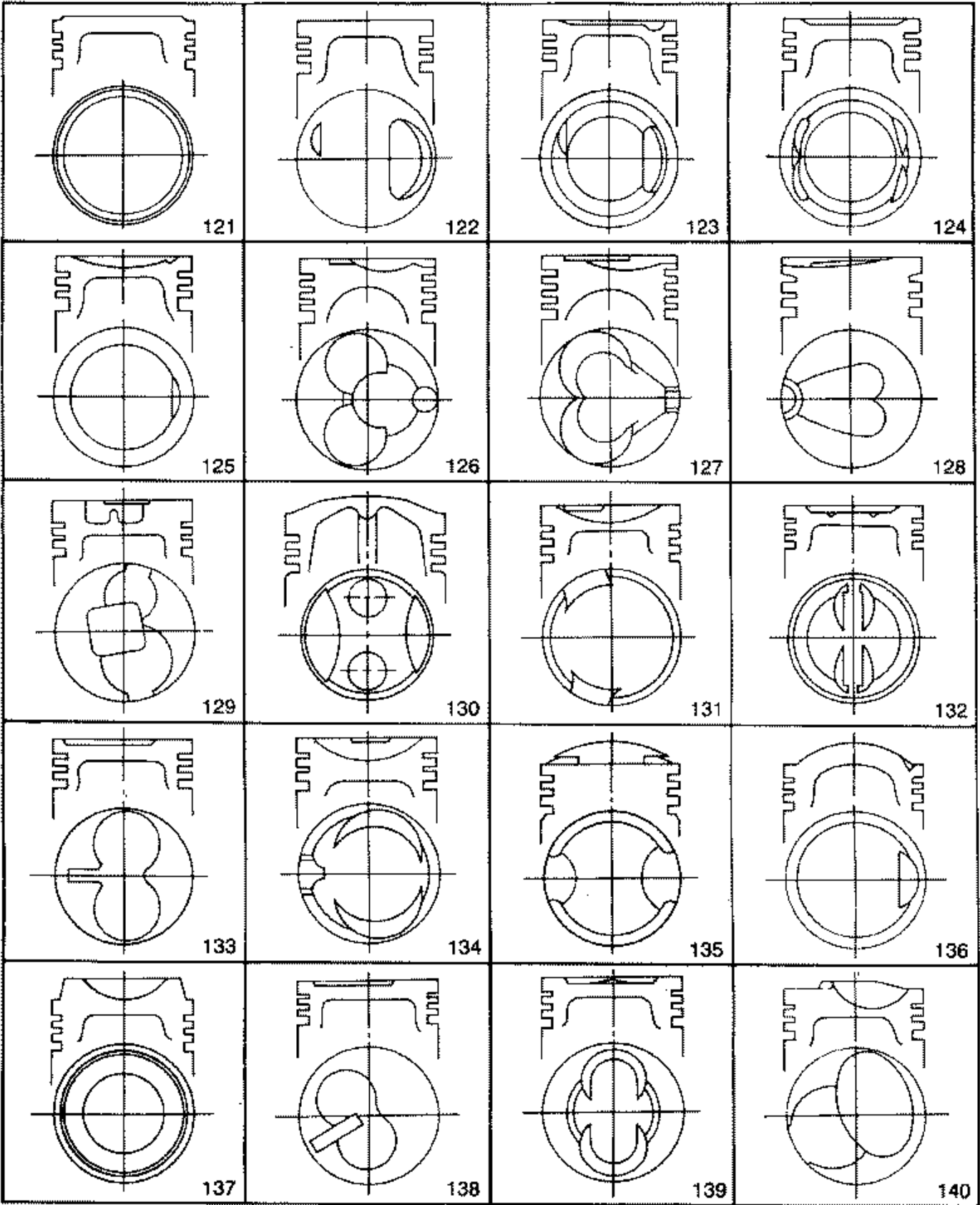


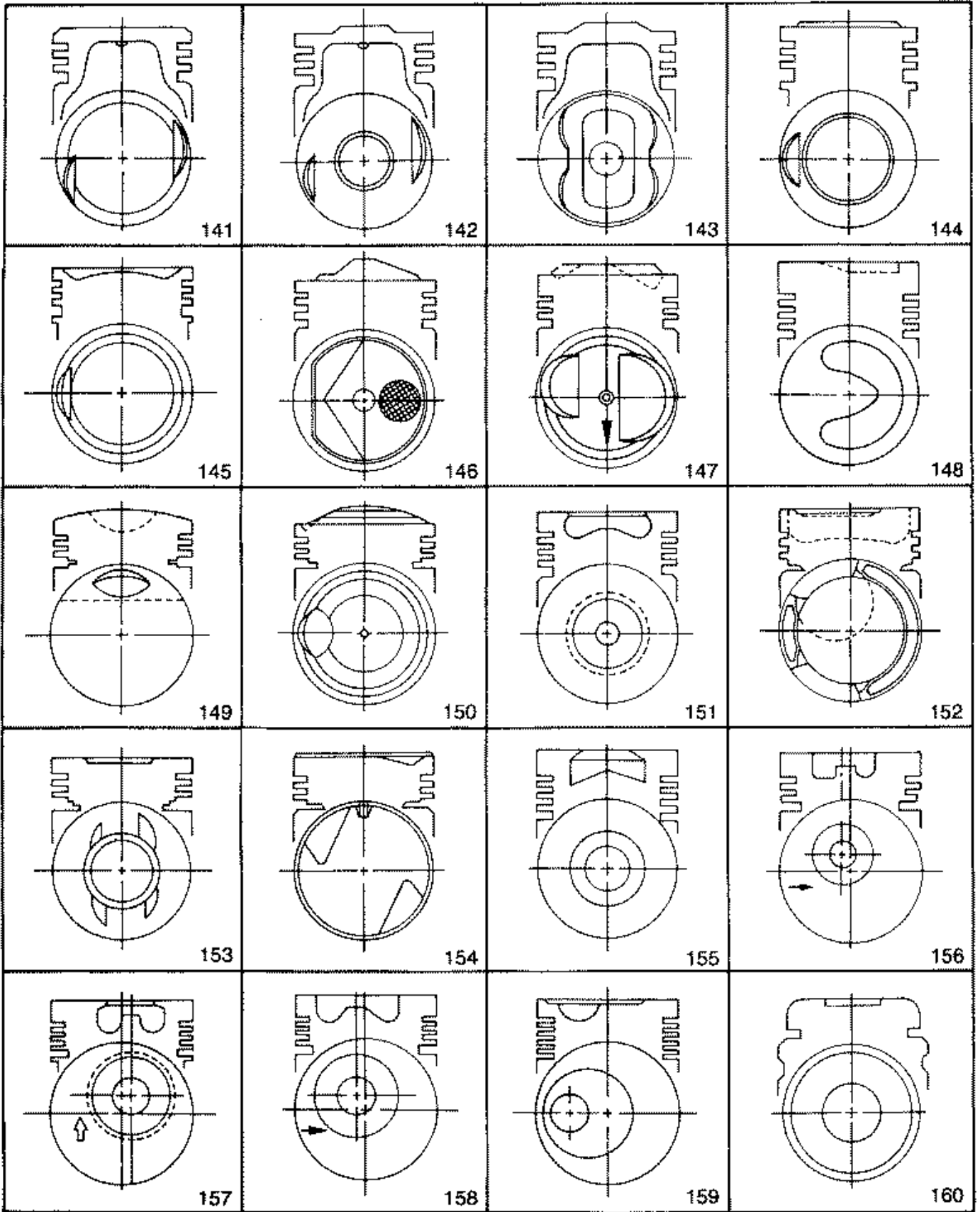


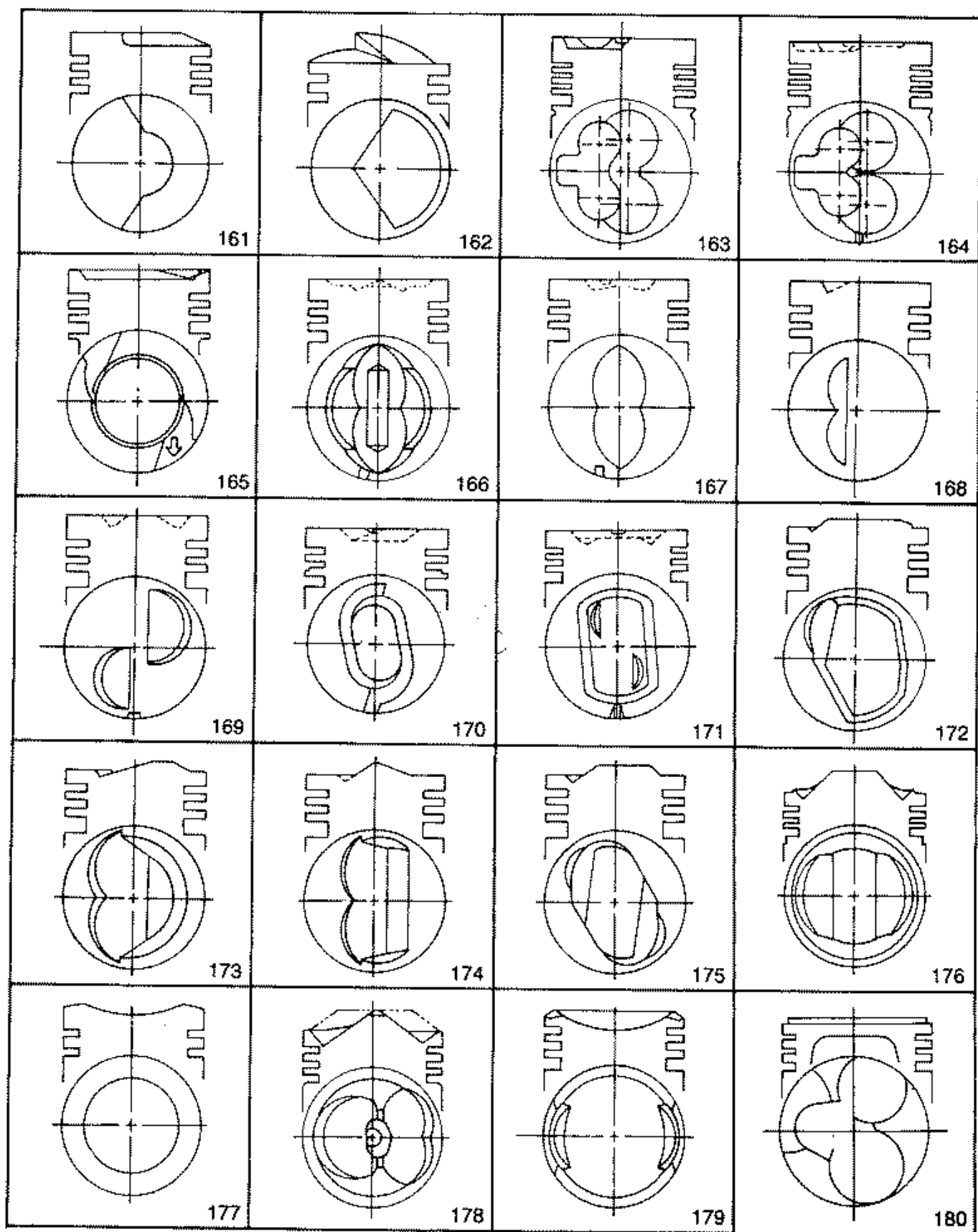


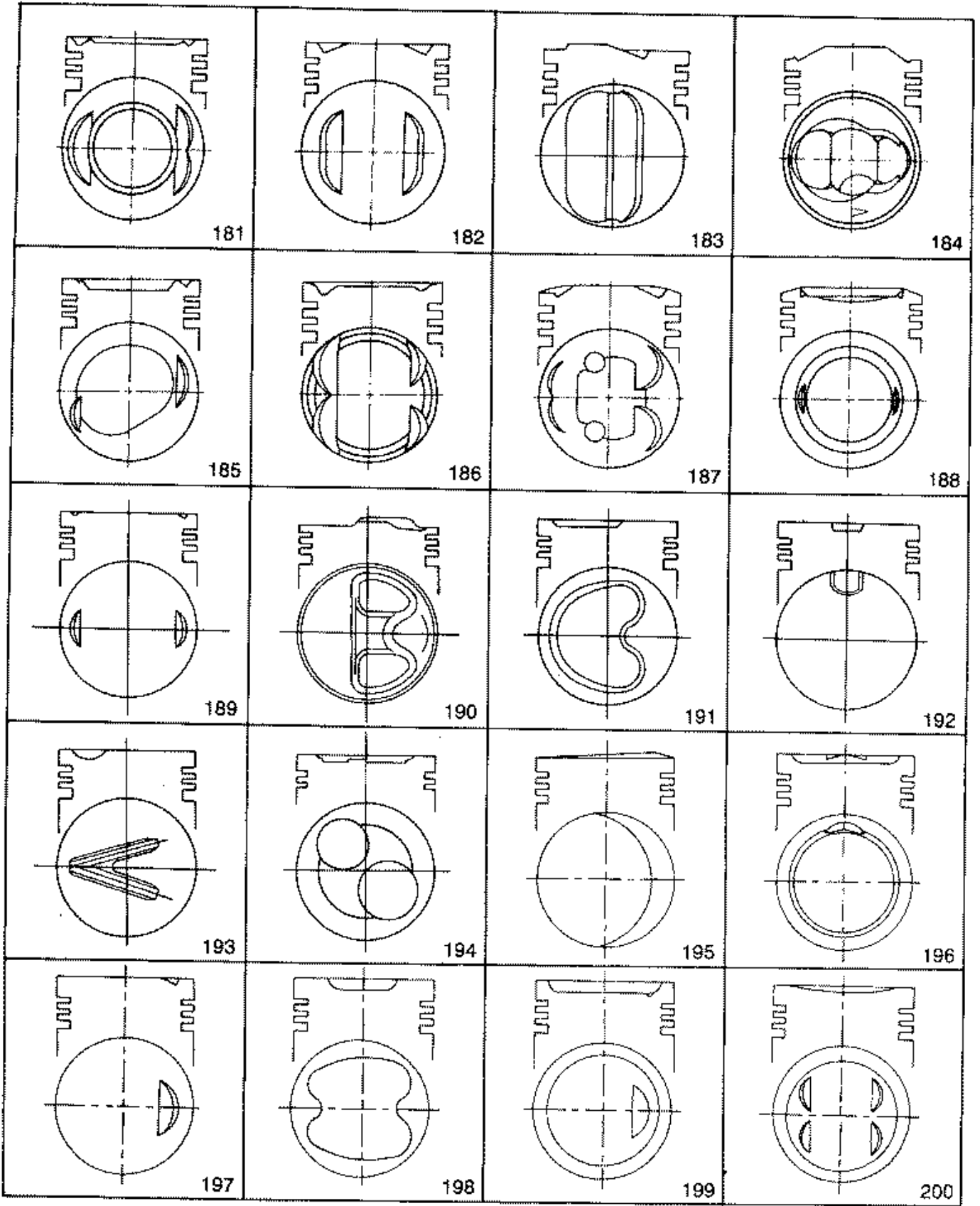


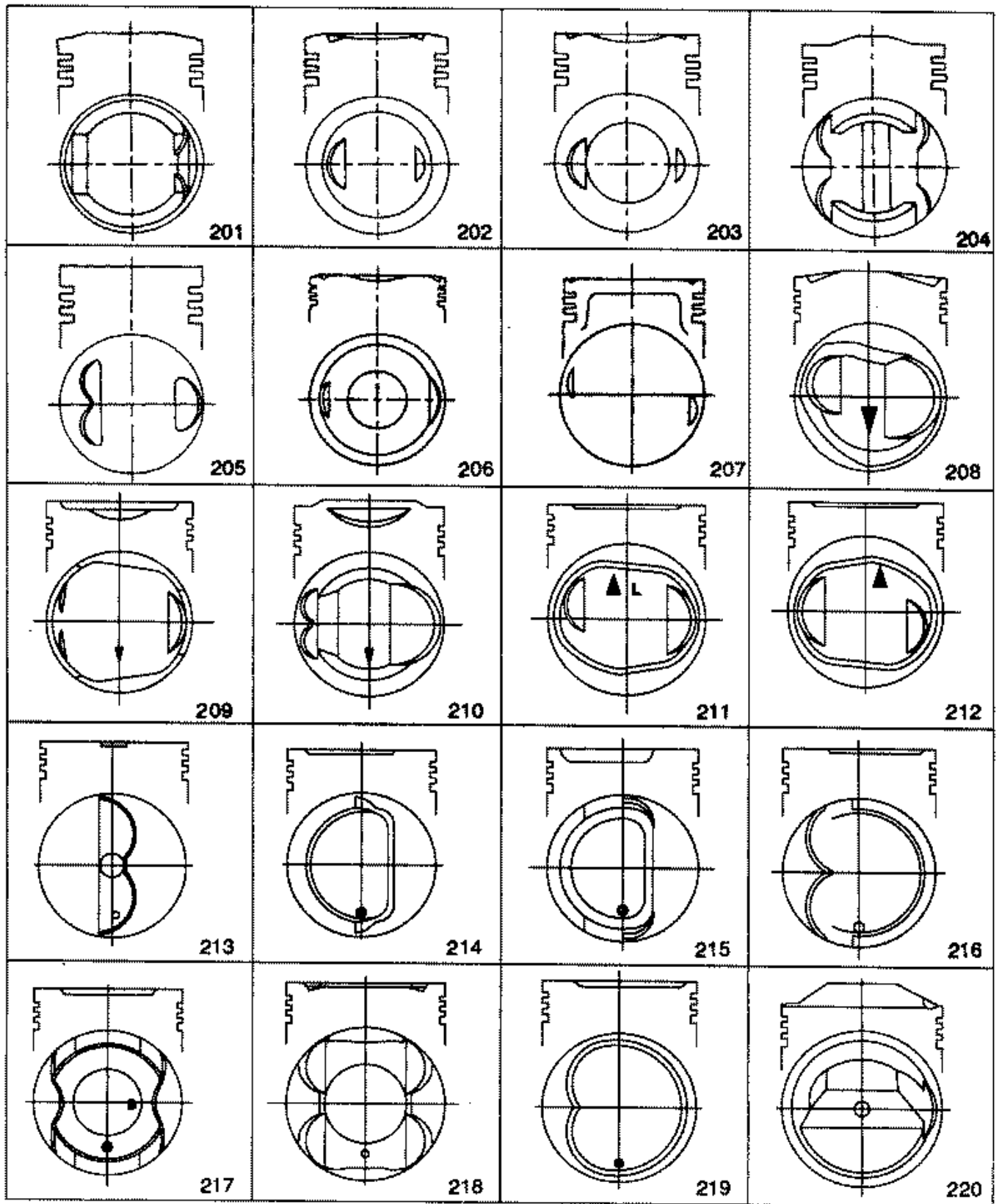


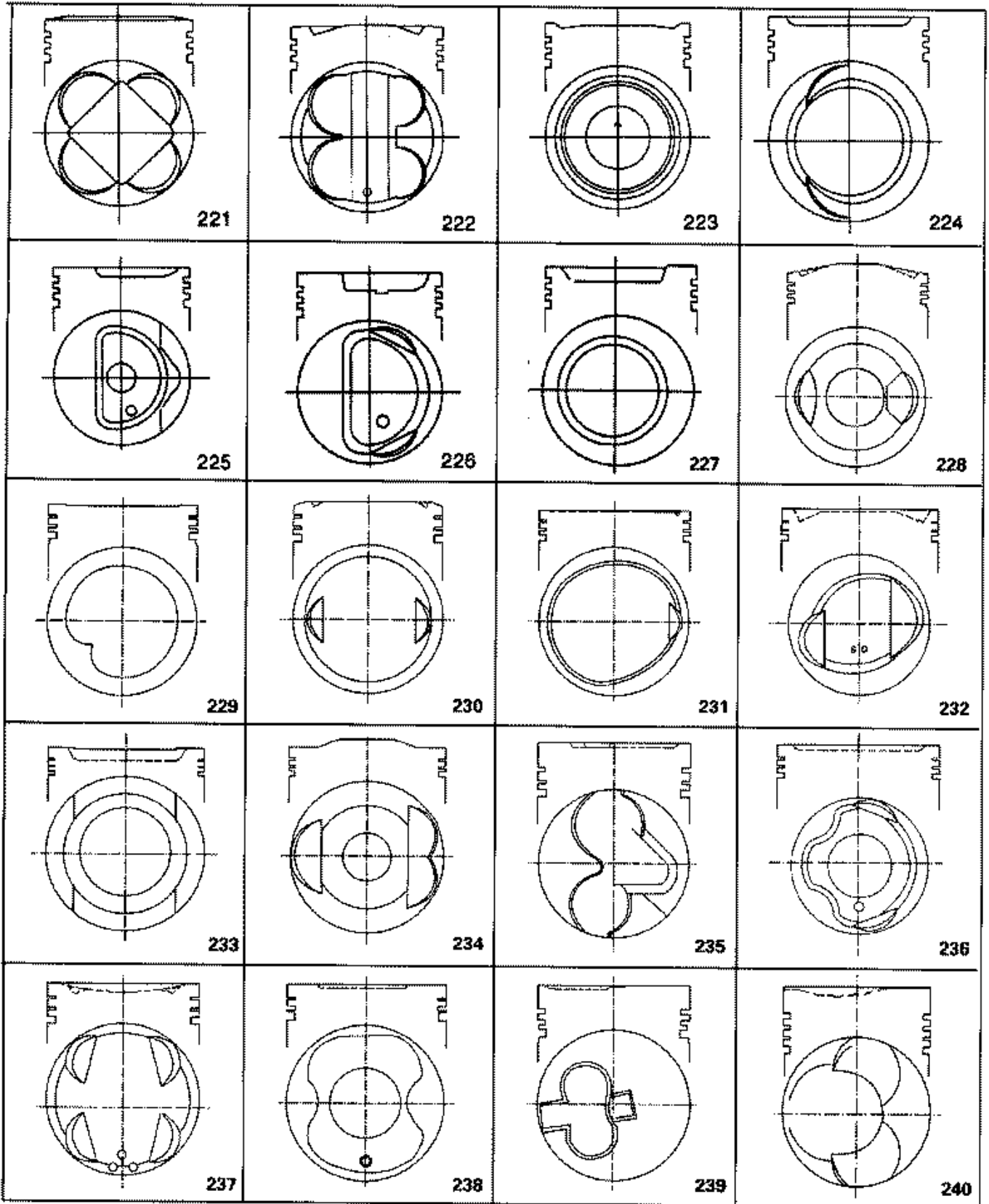


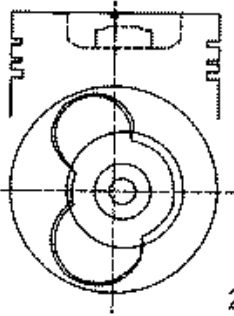
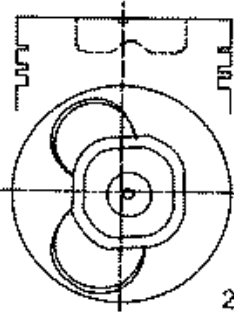










 <p>241</p>	 <p>242</p>		
--	--	--	--