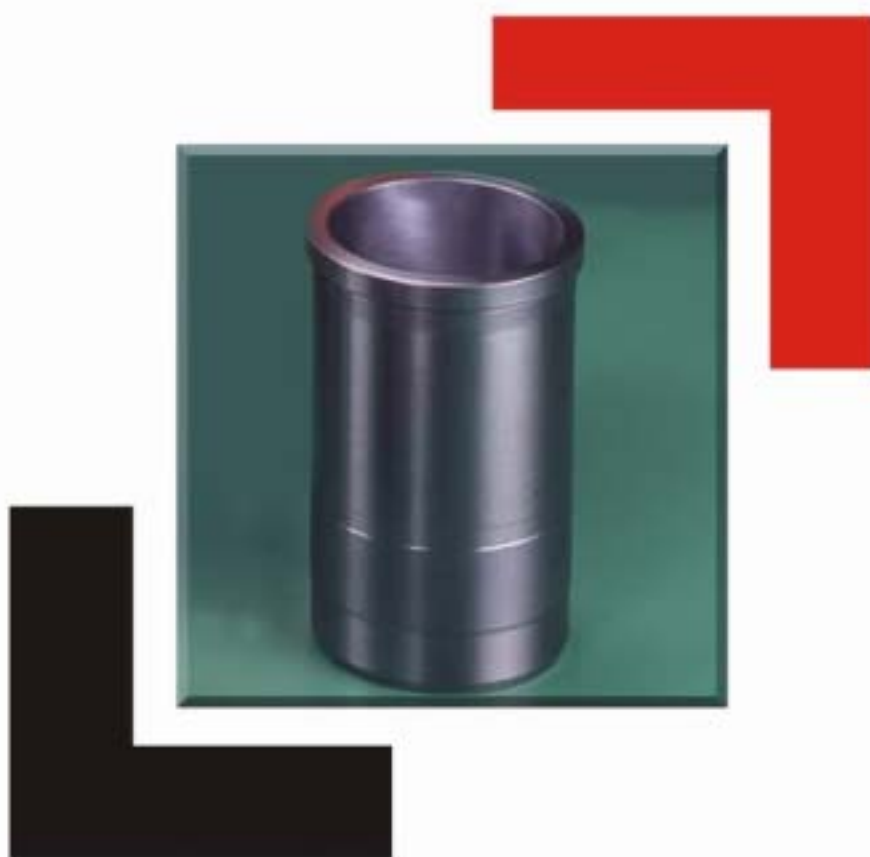




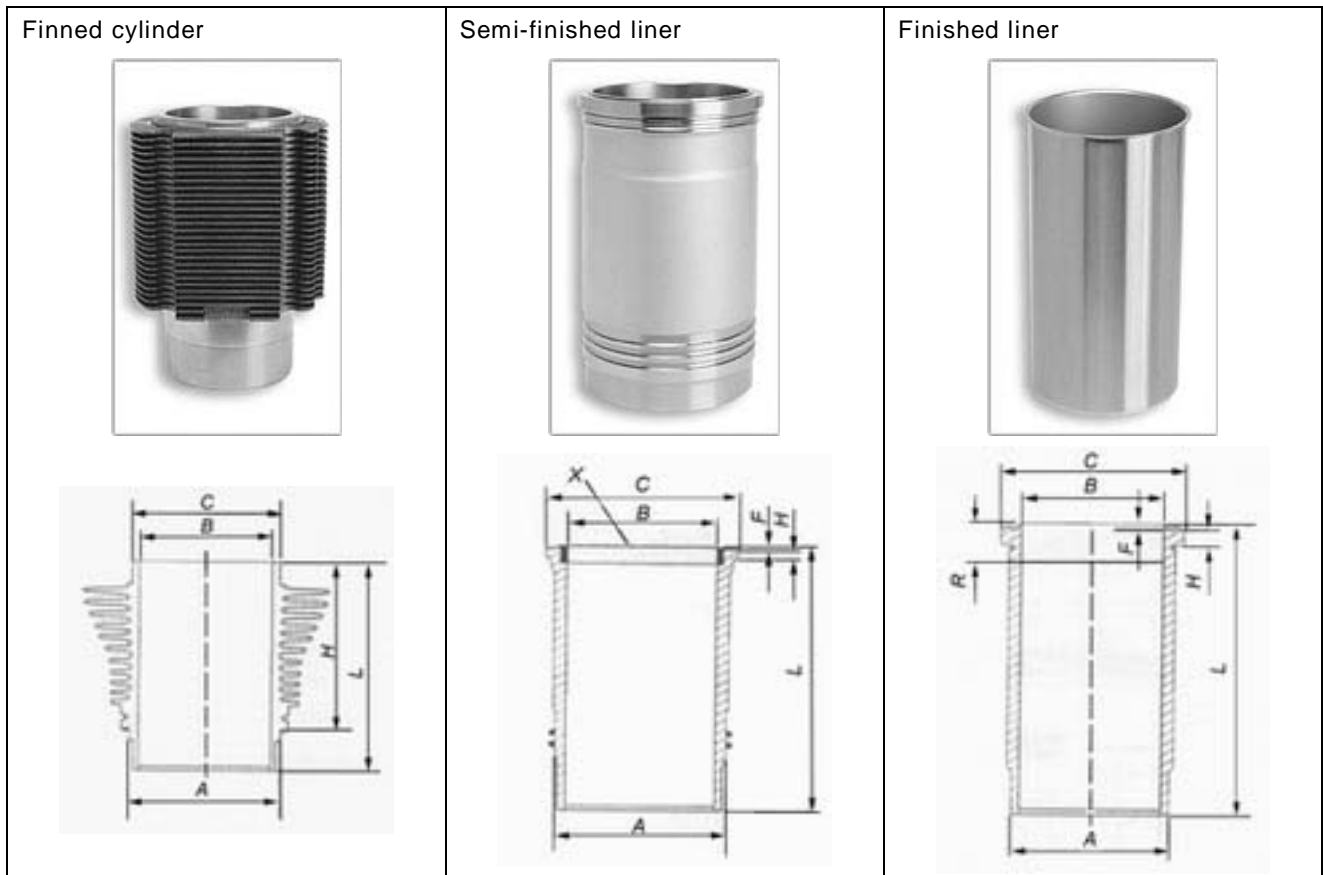
PREMIUM CYLINDER LINER

AUTOMOTIVE



CAPT. ENGINE TECHNOLOGY Inc.

Type and Technical Terms



Main Dimensions

- A = Fitting diameter
- B max = maximum finished diameter for pre-machined liners
- C = Flange diameter
- F = Fire protection rim height
- H = Flange height
- L = Total length
- R = Relief height
- X = Liner ring

Seals

- Cu = Copper
- G = Rubber/Perbunan/NBR
- Pa = Paper
- Si = Silicone/silicone rubber mix
- St = Steel
- Vi = Viton/FKM
- We = Soft metal

Fitting recommendations

Wet cylinder liners

The location bores and particularly the running surface in the cylinder block must be cleaned carefully, and they must be undamaged. Corroded surfaces must be reworked (use flange liners and outer diameter oversize liners). As this is done, make sure that the liners move in easily and that they take up the correct position (the projecting length of the liner must be in accordance with the regulations of the engine manufacturer). After the liner has been installed with the seal rings that belong to it (use slip agent), the cylinder diameter is to be checked—particularly in the region of seal rings—so as to determine whether any deformation has been caused by pinched sealing rings. Using the wrong sealing rings (wrong diameter/wrong material) can cause a narrowing of the cylinder, which can lead to engine damage. The cooling system should be pressure tested after the liners have been installed, so as to determine whether there is any leakage before the engine is started.

Finished cylinder liners

Before the liner is installed, the locating bore in the cylinder block must be cleaned carefully, and must be checked to ensure the accuracy of the dimensions and to determine whether any distortion has occurred. Out-of-center or damaged bores can be reworked for the installation of oversize liners. It is important for this that the locating bore is cylindrical, as this is what determines the geometrical shape of the inside of the pressed-in, thin-walled liner.

Semi-finished cylinder liners

The surface which supports the flange must be vertical to the location bore and it must be sufficiently and evenly beveled. If the liner flange is unevenly supported it can tear off. After the installation of the liner, which is only semi-finished in its inside diameter, this cylinder boring is finely bored and then finished by honing until it has the specified dimensions or, in the case of a finely bored liner, it is only finished by honing (tolerance according to DIN/ISO H5). The surface of the liner must be flush to the sealing surface of the cylinder block. If necessary, the block surface and the liner must be finished by surface grinding.

Finished and honed cylinder liners

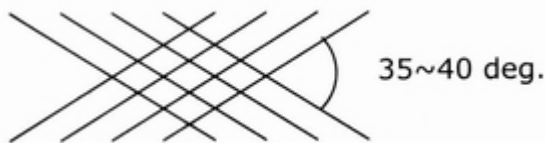
These cylinder liners either fit exactly into the bore of the cylinder block, or they have a slight overlap. The location bore in the block, or the block is to be measured exactly before the liner is installed. It is basic principle that no oil or grease is to be used for pressing in the liners, since this becomes coked and hinders the flow of heat. Special slip agents, such as molybdenum disulphide, are better. After the liner has been pressed in, the cylinder diameter is to be measured with a cross head at several levels (at the very least at the top and the bottom).

Finned cylinders

In accordance with the instructions from the engine manufacturer, cast iron cylinders or light alloy cylinders are used. Light alloy cylinders (e.g. with running surface made of NIKASIL or SILUMAL) are separated into several groups due to the small installation clearances in the standard cylinder dimensions.

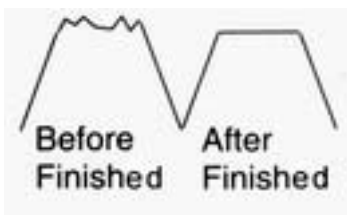
Honing

With a Plateau Honing for a Cylinder Bore hatch angle of 35-40 degrees.



Recommend Roughness :

$R_z = 59\text{--}138\mu\text{ in}$ ($1.5\text{--}3.5\mu\text{m}$) or $R_a = 15\text{--}35\mu\text{ in}$ ($0.4\text{--}0.9\mu\text{m}$)





Cylinder Liner Factory

Piston . Piston Ring . Cylinder Liner . Engine Valve . Liner Kit .



Cylinder Liners



Marine Liners



Steel Thin Sleeves



Racing Engine Cylinders



CNC Lathes for Exterior Shape Processing



Vertical Axle Bore Semi-finishing Processing



Vertical Axle Bore Finished Honing



Computer Controlled /Vertical Axle Bore Semi-Finished Honing Machine. Bore Size Automatically Controlled,Honing Stone Automatically Compensation!!



ISO 9001:2000
23 Nov. 2004



CAPT. PREMIUM CYLINER LINER

Engine Code.	Cyl.	Bore size	Liner O.E.Number	Length (m/m)	Code	Piston O.E. Number	Ring	AI	CH	CAPT. No.	Liner Kit Or Remark
--------------	------	-----------	------------------	--------------	------	--------------------	------	----	----	-----------	---------------------

Daihatsu

CD	3	70				13101-87708-000 (13101-87717-000) (13101-87731-000)	3			DA70001	
AB	2	71.6				13101-87701-000 13101-87715-000 (13101-87732-000)	3			DA71601	
CB	3	76				13101-87703-000 (13101-87704-000) 13101-87719-000 (13101-87729-000)	3			DA76001	
HD	4	76				13101-87106-000 (13101-87108-020) (13101-87113-020)	3			DA76002	
HC	4	76				13101-87105-010 (13101-87105-020) (13101-87105-030)	3			DA76003	
CB	3	76	SLEEVE			13101-87736-000	3			DA76004	
CL	3	76				13101-87721-000 13101-87725-000 13101-87727-000	3K			DA76005	
CL-T	3	76				13101-87720-000	3K			DA76007	
FA	4	78				13101-87302-000	3			DA78001	
DE D200	4	85	992-4113-1101							DA85001	
DG D300	4	88	11461-87302 (11461-87380) 11461-87304 992-5113-1101	182 NEW OLD	S S F	13101-87306-000 (13101-87309-000) 13101-87303-000 13101-87305-000	3 5 4			DA88001	DADKT0101
DL	4	92	11461-87303 11451-87305(N)	182	S	13101-87314-000 (13101-87315-000) (13101-87316-000) 13101-87317-000 13101-87325-000	3 3K 3K			DA92001	
DL-T	4	92		182		13101-97321-000	3K			DA92002	
B DV28	4	95	11461-56010							DA95001	

Code:S=Semi-Finish,F=Finish,ALL=S&F,B=Blacking(Phosphated),C=Chromed,P=Copper Plating,
AI(AI =Alfin,N =nonAlfin B=Both Available,CH=Cooling Channel,K=Keystone,H=Half Keystone



CAPT. PREMIUM CYLINER LINER

Engine Code.	Cyl.	Bore size	Liner O.E.Number	Length (m/m)	Code	Piston O.E. Number	Ring	Al	CH	CAPT. No.	Liner Kit Or Remark
--------------	------	-----------	------------------	--------------	------	--------------------	------	----	----	-----------	---------------------

Hino

DM100	6	90	11467-1440A (11467-1330) 2-352-1965-01	199		13216-1120A	5			HN90010	04013-1020A
DQ100	6	92	11467-1480A	199		13216-1130	5			HN92010	HMDKT3501
EC100	6	97	11467-1140C 11467-1491B	206		13216-1140 13216-1140	5 5			HN97010	04013-1032A 04013-1057A
W04CT	4	104	11467-1771A			13216-1631B 13216-1781A 13216-1830A	3K 3K 3K			HN10410	HMDKT4201
W04D	4	104	11467-1781A(Y) 11467-1771A 11467-1791A(Z) 11467-1761(W)			13216-1720C 13216-1460E				HN10420	04013-1170 KK132161460
W04DT	4	104				13216-1600B	4			HN10430	
W06D	6	104	11467-1771A			13216-1470D				HN10440	KK132161470D
W06E	6	104				13216-1791B 13216-1720C	3 3			HN10450	
W04CT	4	104	11467-1771A			13216-1600B				HN10460	KK132161600
DS70	6	105	11457-1781A	261		13216-1040	5			HN10510	04013-1025A
EH100(A)	6	105	11467-1030A	206		13216-1010	4			HN10520	04013-1021A
EH100(B)	6	105	11467-1040A	206		13216-1010				HN10530	04013-1022A
H06BT	6	106				13216-1591B	4K			HN10610	
EH300(A)	6	108	11467-1010A	206		13216-1160	4			HN10810	04013-1023A
EH300(B)	6	108	11467-1020A	206		13216-1160	4			HN10820	04013-1024A
EH500	6	108				13216-1340A	4			HN10830	
H06CT	6	108	11467-1621A(Z) 11467-1601A(X) 11467-1611A(Y)	204 204 204		13216-1750D 13216-1540B 13216-2600A 13216-1800B 13216-1810A 13216-1441A	4 4K 4 4 4K 4K			HN10840	04013-1142A HMDKT4301
H06CT1	6	108				13216-2010A	4			HN10850	
H06C	6	108	11467-1601A	204		13216-1810B 13216-1540B	4 4K			HN10860	KK132161810
EH700(W)			11467-1200A	204		13216-1180	4				HMDKT3301
EH700(X)	6	110	11467-1210A			(13216-1181)	4			HN11010	HMDKT3401
EH700(Y)			11467-1220A				4				
EH700(Z)			11467-1230A				4				
EH700T	6	110	11467-1210A	204		13216-1390B	4			HN11020	HMDKT3601
EH100T	6	110				13216-1941A	4			HN11030	
H07C	6	110	13216-1210A	204		13216-1500B 13216-1771B 13216-2300A 13216-2290A 13216-1570A	4 4 4 4 4			HN11040	HMDKT3701 HMDKT4001 KK132162300
H07CT	6	110	11467-1210A	204		13216-2062A 13216-2430A 13216-2830	4 4 4		CH	HN11050	04013-1186A
H071CT	6	110				13216-2062A	4			HN11060	

Code:S=Semi-Finish,F=Finish,ALL=S&F,B=Blacking(Phosphated),C=Chromed,P=Copper Plating,
Al(Al =Alfin,N =nonAlfin B=Both Available,CH=Cooling Channel,K=Keystone,H=Half Keystone



CAPT. PREMIUM CYLINER LINER

Engine Code.	Cyl.	Bore size	Liner O.E.Number	Length (m/m)	Code	Piston O.E. Number	Ring	Al	CH	CAPT. No.	Liner Kit Or Remark
--------------	------	-----------	------------------	--------------	------	--------------------	------	----	----	-----------	---------------------

Hino

H07D	6	110	11467-1210A	204		13216-2260A 13216-1980A	4 4			HN11070	KK132162260
DS50	6	110	11467-1550B	266		13216-1050B	5			HN11080	
DS60	6	110	11467-1550B	266		13216-1490A				HN11090	
HOFC	6	110								HN11091	
EB100	6	115				13216-1090A				HN11510	
EB200	6	115	11467-1390A			13216-1090A				HN11520	04013-1097A
EL100	6	116	11467-1640A			13216-1272A				HN11610	04013-1071A
EB300	6	120	11467-1390A	278		13216-1110A	4			HN12010	
EB400	6	120				13216-1230A	4K			HN12020	
DK10	6	120	11467-1380B			13216-1080A	5			HN12030	
DK10T	6	120				13216-1070B	5			HN12040	
EP-100	6	120				13216-1420C	4			HN12050	
						13216-1710A	4				
						13216-1920A	4				
EP100T	6	120				13216-1450C	4K			HN12060	
EM100	6	124				13216-1370C	4			HN12410	
						13216-1690A	4				
M10CT	8	127				13216-2070A	4			HN12710	
ED100	6	128				13216-1170	4			HN12810	
ER200	6	128	11461-1020A			13216-1281A	4			HN12820	04013-1098A
ER200	6	128	11461-1020A			13216-1281A	4			HN12830	04013-1117A
EF100	8	130				13211-1140A	4			HN13010	
EF100(L) EF100(R)	8	130	11467-1110A	248		13216-1290A	4			HN13020	04013-1039A
						13226-1040A	4				04013-1037A
EF300(L) EF300(R)	8	132	11467-1071B	248		13216-1241A				HN13210	04013-1039A
						13216-1011A					04013-1037A
EF300(L) EF300(R)	8	132	11467-1071B	248		13216-1241A				HN13220	04013-1052A
						13216-1011A					04013-1051A
EF300(L) EF300(R)	8	132	11467-1071B	248		13216-1320A				HN13230	04013-1075A
						13226-1070A					04013-1074A
EF350(L) EF350(R)	8	132	11467-1071B	248		10216-1330A				HN13240	04013-1061A
						13226-1080A					04013-1060A
EF500(L) EF500(R)	8	135	11467-1101A	248		13216-1252A				HN13510	04013-1054A
						13226-1022A					04013-1053A
EF550(L) EF550(R)	8	135	11467-1690A	248		13216-1560A				HN13520	04013-1096A
						13226-1140A					04013-1095A
EF550L	4	135	11467-1690A	248						HN13530	
EF550R	4	135	11467-1690A	248		13226-1140A				HN13540	04013-1113A
EG100	V8	135	11467-1120A	248		2394-1901-00 13211-1020B	4			HN13550	04013-1055A
K13	8	135				13216-1850A	4			HN13560	
K13D	6	135	11467-1910A			13216-2440A				HN13570	04013-1200A
K13C	6	135	11467-2090A 11467-2380A	266		13216-1850A	4			HN13580	04013-1133A
						13216-2140A	4				04013-1137A
						13216-2330A	4				04013-1201A
						13226-1261C	4				
						13216-2240A	4				
K13CT	6	135				13216-2330A	4			HN13590	
						13216-2140A	4				

Code:S=Semi-Finish,F=Finish,ALL=S&F,B=Blackening(Phosphated),C=Chromed,P=Copper Plating,
Al(Al =Alfin,N =nonAlfin B=Both Available,CH=Cooling Channel,K=Keystone,H=Half Keystone



CAPT. PREMIUM CYLINER LINER

Engine Code.	Cyl.	Bore size	Liner O.E.Number	Length (m/m)	Code	Piston O.E. Number	Ring	Al	CH	CAPT. No.	Liner Kit Or Remark
--------------	------	-----------	------------------	--------------	------	--------------------	------	----	----	-----------	---------------------

Hino

K13D	6	135				13216-2100A	4			HN13591	
EK100	6	137	11467-1910A (11467-1080) (11467-1910) 11467-1960	267	Cr	13216-1220A 13216-1224A 13216-1530A	4			HN13710	04013-1092A 04013-1110A 04013-1115A
EK100T	6	137	11467-1910A	267		13216-1410A				HN13720	KK132161410
EK130T	8	137				13216-1812A	4			HN13730	
EK200	6	137				13216-1530	4			HN13740	
EF700	8	137				13211-1122B	4K			HN13750	
EF700(L) EF700(R)	8	137	11467-1091A (11467-1900)	248		13216-1261A 13226-1031B	4K 4K			HN13760	04013-1063A 04013-1062A
EF750	8	137				13216-2030A	4			HN13770	
EF750(L) EF750(R)	8	137	11467-1091A (11467-1900)	248		13216-1860A 13226-1170A	4K 4K			HN13780	04013-1112A 04013-1111A
EF750T	4	137	13216-1472B 13226-1152B	248 248		11467-1091A 11467-1071A	4K 4K			HN13790	04013-1130A
F17C	4	139	11467-1702A 11469-1702A	248 248		13226-1180C 13216-1910C	4 4			HN13910	04013-1134A 04013-1135A
F17D	4	139				13226-1200A 13216-2050A	4 4			HN13920	
F17E	4	139	11467-1702A	248		13226-1210A 13216-2110A	4 4			HN13930	04013-1140A 04013-1141A
V22C	10	139				13226-1152B	4			HN13940	
F20C	8	146				13216-2321C	4			HN14610	

Code: S= Semi-Finish, F= Finish, ALL= S&F, B= Blacking (Phosphated), C= Chromed, P= Copper Plating,
Al (Al = Alfin, N = non Alfin B= Both Available, CH= Cooling Channel, K= Keystone, H= Half Keystone



CAPT. PREMIUM CYLINER LINER

Engine Code.	Cyl.	Bore size	Liner O.E.Number	Length (m/m)	Code	Piston O.E. Number	Ring	Al	CH	CAPT. No.	Liner Kit Or Remark
--------------	------	-----------	------------------	--------------	------	--------------------	------	----	----	-----------	---------------------

Honda

GAB07	4	56.5				13101-383-000	3			HD56501		
G42	1	66				13101-822-000	3			HD66001		
GV200	1	67				13101-883-003	3			HD67001		
EB1	4	70				13101-634-920	3			HD70001		
						13101-634-000	3					
						13101-634-630	3					
EB2	4	72				13101-634-670	3			HD72001		
						13101-634-671	3					
EN	4	72				13101-PA1-010	3			HD72001		
						13101-PA5-000	3					
EJ	4	72				13101-PA5-030	3			HD72003		
						13101-PA0-000	3					
G65 (GS65)	1	72				13101-823-000	3			HD72004		
EC	4	74				13101-568-010	3			HD74001		
						13101-568-010	3					
ED1	4	74				13101-657-670	3			HD74002		
						13101-657-010	3					
						13101-657-020	3					
						(13101-657-030)						
						(13101-663-670)						
EF1	4	74				13101-671-000	3			HD74003		
						(13101-671-010)						
EM1 (EF1)	4	74				13101-PA6-000	3			HD74004		
						(13101-PA6-306)						
						13101-PA6-020		3				
						13101-PA6-010		3				
EV	4	74				13101-PE7-000	3			HD74005		
						13101-PE7-660		3				
						13101-PE4-730		3				
EW	4	74				13101-PE1-000(R)	3			HD74007		
						(13105-9e1-000(L))						
EV	4	74				13101-PE0-660(R)	3			HD74008		
						(13101-PE1-721(L))						
GSU30	4	74				13101-471-003	3			HD74009		
ZC	4	75				13101-PG6-000	3			HD75001		
D13 (D15B)	4	75				13101-PM3-901	3			HD75002		
D13B	4	75				13101-PM0-B01	3			HD75003		
D15B	4	75				13101-PM3-000	3			HD75004		
						(13101-PM3-010)						
ZC	4	75				13101-PM6-000	3			HD75005		
						(13101-PM6-010)						
EK1	4	77				13101-689-000	3			HD77001		
						(13101-689-010)		3				

Code:S=Semi-Finish,F=Finish,ALL=S&F,B=Blacking(Phosphated),C=Chromed,P=Copper Plating, Al(Al =Alfin,N =nonAlfin B=Both Available,CH=Cooling Channel,K=Keystone,H=Half Keystone



CAPT. PREMIUM CYLINER LINER

Engine Code.	Cyl.	Bore size	Liner O.E.Number	Length (m/m)	Code	Piston O.E. Number	Ring	Al	CH	CAPT. No.	Liner Kit Or Remark
--------------	------	-----------	------------------	--------------	------	--------------------	------	----	----	-----------	---------------------

Honda

EP	4	77				13101-PC1-000 (13101-PC1-010) (13101-PC3-600)	3			HD77002	
						13101-PC2-000 (13101-PC2-010) (13101-PC4-600)	3				
EK1	4	77				13101-PB2-000 (13101-PB2-900)	3			HD77003	
ES	4	80				13101-PC6-000 (13101-PC6-900)	3			HD80001	
						13101-PC7-000 (13101-PC7-730) (13101-PC7-731)	3				
						13101-PD5-000 (13101-PD5-010)	3				
						13101-PD3-000	3				
						13101-PD2-030 (13101-PD6-010)	3				
						13101-PC7-661	3				
B20A	4	81				13101-PK1-010	3			HD81001	
						13101-PH3-000	3				
A20A	4	82.7				13101-PH4-000 (13101-PH4-600)	3			HD82701	
						13101-PJ0-660	3				
						13101-PJ0-000	3				
C25A	V6	84				13101-PH7-000	3			HD84001	
F18A	4	85				13101-PT1-000	3			HD85001	
G400L	1	86				13101-890-010	3			HD86001	

Code:S=Semi-Finish,F=Finish,ALL=S&F,B=Blackening(Phosphated),C=Chromed,P=Copper Plating,
Al(Al =Alfin,N =nonAlfin B=Both Available,CH=Cooling Channel,K=Keystone,H=Half Keystone



CAPT. PREMIUM CYLINER LINER

Engine Code.	Cyl.	Bore size	Liner O.E.Number	Length (m/m)	Code	Piston O.E. Number	Ring	AI	CH	CAPT. No.	Liner Kit Or Remark
--------------	------	-----------	------------------	--------------	------	--------------------	------	----	----	-----------	---------------------

ISUZU

	4	72.3				8-94162-780-1	3			IZ72301	
3AF1	3	76				5-12111-169-0 (5-12111-245-0)				IZ76001	
4EC1	4	76				8-94129-828-0 (8-94129-844-1)	3			IZ76010	
4EC1-T	4	76				8-94149-276-4	3			IZ76020	
4FE1	4	76.3				8-94169-747-1 8-94169-752-1	3 3			IZ76310	
4XC1	4	77				8-94425-275-0 8-94141-426-0 8-94411-975-0 8-94162-766-2	2 2 3 3			IZ77001	
G150	4	79				9-12111-811-0	3			IZ79001	
G161AB	4	82				9-12111-462-0 (9-12111-667-0)	3			IZ82001	
G161	4	82				9-12111-670-0 (9-12111-784-0)	3			IZ82002	
G161Z	4	82				8-94200-645-0 (8-94211-129-0) 8-94218-808-0 (8-94220-636-0) 8-94244-402-0	3 3 3 3			IZ82003	
4ZA1	4	82				8-94232-085-0 5-84452-742-1	3 3			IZ82004	
C221	4	83	9-11261-224-1	174		5-12111-065-0 9-12111-646-0	5			IZ83010	5-8751-0060-1
G180S	4	84				9-12411-622-0	3			IZ84001	
G180	4	84				5-12111-066-3	3			IZ84002	
G180Z	4	84				8-94201-040-0 (8-94201-607-0)	3			IZ84003	
G180	4	84				8-94215-088-0 8-94235-290-0 (8-94238-475-0) 8-94251-268-1	3 3 3			IZ84004	
4FB1	4	84				8-94228-886-2	3			IZ84010	
4FC1	4	84				8-94228-887-1 8-94111-655-1 8-94139-972-0	3 3 3			IZ84020	
4ZB1	4	84				8-94235-290-2 (8-94235-924-0)	3			IZ84005	
4ZB1J	4	84				8-94251-268-1 (8-94251-925-0)				IZ84006	
G201	4	86				9-12111-544-0 (9-12111-689-0) 5-12111-011-0	3 3			IZ86001	
C240	4	86				5-12111-064-0 (9-12111-813-0) 9-12111-834-0 5-12111-137-0 (5-12111-202-0)	3 5 3			IZ86010	

Code:S=Semi-Finish,F=Finish,ALL=S&F,B=Blacking(Phosphated),C=Chromed,P=Copper Plating,
AI(AI =Alfin,N =nonAlfin B=Both Available,CH=Cooling Channel,K=Keystone,H=Half Keystone



CAPT. PREMIUM CYLINER LINER

Engine Code.	Cyl.	Bore size	Liner O.E.Number	Length (m/m)	Code	Piston O.E. Number	Ring	AI	CH	CAPT. No.	Liner Kit Or Remark
C190	4	86	9-11261-224-1	163		5-12111-119-0	4			IZ86020	5-8781-0148-1
						(5-12111-203-0)					5-8781-0183-2
						5-12111-225-0	3				5-8781-0235-0
C240	4	86	9-11261-230-1	178		5-12111-226-0	3			IZ86030	5-8781-0536-2
						8-94326-225-0	3				5-8781-0085-2
						5-12111-064-0	3				5-8781-0149-1
						5-12111-202-0	3				5-8781-0236-1
						5-12111-202-1	3				
G200Z	4	87				8-94213-831-0	3			IZ87001	
						8-94237-469-1	3				
G200	4	87				8-94258-494-1	3			IZ87002	
G200W	4	87				8-94237-082-0	3			IZ87003	
						(8-94237-082-1)					
						8-94107-912-0	3				
4ZC1	4	88				8-94250-916-1	3			IZ88001	
4FD1	4	88				8-94105-454-0	3			IZ88010	
C223	4	88	5-11261-015-2	163		5-12111-212-0	3			IZ88020	5-8781-0226-1
						8-94250-729-0	3				5-8781-0239-1
C223T	4	88				8-94118-826-0	3			IZ88030	
4ZD1	4	89.3				8-94156-657-0	3			IZ89301	
						8-94136-777-3	3				
4FG1	4	89.3				8-94454-813-0	3			IZ89310	
4JC1	4	89.3	8-94169-883-0			8-94335-619-0				IZ89302	5-8781-0641-0
D400	6	92				9-12111-598-0	5			IZ92010	
4ZE1	4	92.6				8-94163-189-2	3			IZ92601	
4JA1	4	93	8-94110-144-0	156		8-94152-712-1	3			IZ93010	5-8781-0277-3
			8-94462-130-0						5-8781-0717-0		
									(5-8781-0737-0)		
4JB1	4	93	8-94247-861-2	181		8-94152-711-1	3			IZ93020	
						8-94433-177-1	3				5-8781-0627-0
						8-94445-718-0					5-8781-0628-0
4JB1-T	4	93	8-94247-861-2	181		8-94340-620-0	3			IZ-93030	5-8781-0636-0
4JB1MT	4	93	8-94247-861-2	181		8-94311-634-0	3			IZ93040	5-8781-0863-0
4JB1PT	4	93	8-94247-861-2	181		8-94340-620-0	3			IZ93050	5-8781-0907-0
4JG1	4	95.4	8-94456-791-0			8-97074-507-0				IZ95410	5-8781-1104-0
4BA1	4	98	9-11261-802-1	180.5		5-12111-055-1	3			IZ98010	5-8781-0087-3
											(5-8781-0157-2)
						5-12111-201-0	3				5-8781-0158-1
D500	6	98	9-11261-257-0	206.5		9-12411-814-0	3			IZ98020	1-8781-0087-2
DA120(A)	6	100	9-11261-301							IZ10010	
DA120(B)	6	100	9-87692-095-0 (9-11261-287)	220		9-12111-196-0	5			IZ10020	
						9-12111-320-0	5				
						1-12111-126-0	4				9-8852-0064-4
						(9-12111-901-0)					
DA220	4	100	9-87692-095-0	220		1-12111-126-0 (9-12111-901-0)	4			IZ10030	9-8852-0063-4
DA640(A)	6	102	9-11261-302 (9-11261-093)							IZ10210	
DA640(B)	6	102	9-11261-293							IZ10220	

Code:S=Semi-Finish,F=Finish,ALL=S&F,B=Blackening(Phosphated),C=Chromed,P=Copper Plating,
AI(AI =Alfin,N =nonAlfin B=Both Available,CH=Cooling Channel,K=Keystone,H=Half Keystone



CAPT. PREMIUM CYLINER LINER

Engine Code.	Cyl.	Bore size	Liner O.E.Number	Length (m/m)	Code	Piston O.E. Number	Ring	Al	CH	CAPT. No.	Liner Kit Or Remark
--------------	------	-----------	------------------	--------------	------	--------------------	------	----	----	-----------	---------------------

ISUZU

DA640(C)	6	102	9-11261-288-0 (9-87692-096-0)	228.0		1-12111-321-0	5			IZ10230			
				228		1-12111-050-0	4						
						12111-122-0(1)	4						
						1-12111-122-1 (1-12111-740-0)						1-8781-0015-5 1-8781-0016-5	
DA640T	6	102	9-11261-288-0			1-12111-125-1				IZ10240	1-8781-0116-1		
4BB1	4	102	1-11261-118-0	204		5-12111-013-0	3			IZ10250	5-8781-0088-1		
4BC1	4	102	5-11261-014-2			5-12111-172-1 (5-12111-188-1)	3			IZ10260	5-8781-0172-1 (5-8781-0210-1)		
4BC2	4	102	5-11261-014-2			5-12111-230-4	3			IZ10270	5-8781-0211-4		
						8-94169-765-0	3				5-8781-0292-2		
						8-97012-662-0					5-8781-0780-1		
						8-97083-121-1					5-8781-1524-0		
4BC2T	4	102	5-11261-014-2			8-94169-765-0	3			IZ10280	5-8781-0292-3		
4BD1	4	102	1-11261-118-0	204		5-12111-176-0	3			IZ10290	1-8781-0232-2		
							5-12111-224-1	3				1-8781-0299-3	
							5-12111-303-1	3				1-8781-0366-3	
							1-12111-321-0	3				1-8781-0368-1	
							1-12111-587-1					1-8781-0577-0	
							1-12111-609-0					1-8781-0918-0	
							5-12111-068-2					5-8781-0093-7	
							5-12111-211-1					5-8781-0169-2	
							1-12111-240-1					5-8781-0423-2	
							5-12111-242-1					5-8781-0221-1	
							(5-12111-265-0)					(5-8781-0490-2)	
												(5-8781-0529-1)	
											3		5-8781-0249-2
													5-8781-0281-3
							5-8781-0316-3						
							5-8781-0466-1						
							5-8781-0473-1						
							5-8781-0479-1						
4BD1-T	4	102	1-11261-118-0	204		5-12111-240-1	3			IZ10291	1-8781-0226-5		
							5-12111-325-1					1-8781-0340-1	
							5-12111-428-0					1-8781-0393-3	
							5-12111-176-0					5-8781-0485-1	
							8-94174-649-1					5-8781-0280-4	
							8-94157-349-0					5-8781-0310-1	
							8-94154-798-1					5-8781-0311-0	
							8-94175-027-2					5-8781-0316-4	
							8-94321-734-0					5-8781-0548-2	
							(8-94321-734-0)					(5-8781-0555-1)	
4BD2T	4	102	1-11261-118-0	204		8-97025-457-2				IZ10292	5-8781-0923-1		
6BB1	6	102	1-11261-118-0	204		5-12111-013-0	3			IZ10293	1-8781-0088-6		
							1-12111-633-0	3				1-8781-0709-0	
							1-12111-634-0	3				1-8781-0833-2	
							5-12111-176-0						
							5-12111-303-0 (1-12111-240-1)						

Code:S=Semi-Finish,F=Finish,ALL=S&F,B=Blacking(Phosphated),C=Chromed,P=Copper Plating,
Al(Al =Alfin,N =nonAlfin B=Both Available,CH=Cooling Channel,K=Keystone,H=Half Keystone



CAPT. PREMIUM CYLINER LINER

Engine Code.	Cyl.	Bore size	Liner O.E.Number	Length (m/m)	Code	Piston O.E. Number	Ring	Al	CH	CAPT. No.	Liner Kit Or Remark
--------------	------	-----------	------------------	--------------	------	--------------------	------	----	----	-----------	---------------------

ISUZU

6BD1	6	102				5-12111-068-0 (5-12111-068-2)	3			IZ10294	
6BD1-T	6	102				1-12111-325-1	3			IZ10295	
6BD1MTC	6	102	1-11261-118-0			1-12111-571-0				IZ10296	1-8781-0881-0
4BG1	4	105	1-11261-119-0			8-94340-331-1				IZ10510	5-8781-0769
6BG1	6	105	1-11261-119-0			1-12111-323-2 (1-12111-377-4) 1-12111-435-0 1-12111-528-0 1-12111-617-0	3			IZ10520	1-8781-0392-2 1-8781-0605-1 1-8781-0895-0
6BG1-T	6	105	1-11261-119-0			1-12111-471-0 1-12111-366-0 1-12111-435-0 1-12111-593-0 1-12111-626-0	3			IZ10530	1-8781-0442-1 1-8781-0411-2 1-8781-0594-0 1-8781-0854-0 1-8781-0904-0
6BG1MTC	6	105	1-11261-119-0			1-12111-471-0				IZ10540	1-8781-0442-1
6BG	6	105	1-11261-119-0			1-12111-528-0				IZ10550	1-8781-1046-0
6BF1	6	105	1-11261-119-0			1-12111-345-0	3			IZ10560	
4BE1	4	105	5-11261-016-0 5-11261-016-2			8-94478-116-0 8-94438-989-1	3 3			IZ10570	5-8781-0832-0 5-8781-0496-1
4BF1	4	105				8-97063-867-0				IZ10580	5-8781-0858-1
2G	4	110	1-11261-118-0			8-97025-457-2				IZ11010	5-8781-0923-1
3G	4	110	1-11261-118-0			9-8-97025-457-2				IZ11020	5-8781-0924-1
4G	4	110	1-11261-118-0			9-8-97025-457-2				IZ11030	5-8781-0925-1
6HE1	6	110	8-94396-332-0			8-94396-837-0	3			IZ11040	1-8781-0853-0
4HE1	4	112	8-94389-276-3							IZ11210	
6SA1	6	115	1-11261-065-2 1-11261-094-1		Cu	1-12111-217-0 1-12111-350-1 1-12111-452-1 1-12111-452-2 1-12111-603-0				IZ11510	1-8781-0295-2 1-8781-0352-2 1-8781-0406-2 1-8781-0815-1 1-8781-0855-0
6AS1T	6	115	1-11261-094-0 1-11261-094-1			1-12111-459-1 1-12111-460-1 1-12111-459-0				IZ11520	1-8781-0501-1 1-8781-0505-1 1-8781-0469-2
6SA1MTC	6	115	1-11261-094-1			1-12111-468-1				IZ11530	1-8781-0702-1
10PA1	10	115	1-11261-063-0 1-11261-155			1-12111-216-0 1-12111-154-1 1-12111-154-1 1-12111-154-1 1-12111-216-0				IZ11540	1-8781-0193-4 1-8781-0203-4 1-8781-0533-0 1-8781-0307-3 1-8781-0686-0
8PA1	8	115	1-11261-063-0 (-033,-064) 1-11261-155-0			1-12111-157-0				IZ11550	1-8781-0191-3 1-8781-0843-0
8PB1T	8	115	1-11261-063-0 (-033,-064)			1-12111-176-0 1-12111-271-0				IZ11560	1-8781-0843-0 1-8781-0262-1

Code:S=Semi-Finish,F=Finish,ALL=S&F,B=Blackening(Phosphated),C=Chromed,P=Copper Plating,
Al(Al =Alfin,N =nonAlfin B=Both Available,CH=Cooling Channel,K=Keystone,H=Half Keystone



CAPT. PREMIUM CYLINER LINER

Engine Code.	Cyl.	Bore size	Liner O.E.Number	Length (m/m)	Code	Piston O.E. Number	Ring	Al	CH	CAPT. No.	Liner Kit Or Remark	
10PB1	10	115	1-11261-063-0 (-033,-064) 1-11261-155-0			1-12111-217-0 1-12111-156-1 1-12111-259-0 1-12111-271-0				IZ11570	1-8781-0190-4	
											1-8781-0204-4	
											1-8781-0285-0	
											1-8781-0757-0	
10PB	10	115	1-11261-155-0			1-12111-271-0				IZ11580	1-8781-0684-0	
10PB1T	10	115	1-11261-155-0			1-12111-276-0				IZ11590	1-8781-0685-0	
10PD1	10	119	1-11261-161-1			1-12111-549-3 1-12111-444-1				IZ11910	1-8781-0781-2	
											1-8781-0835-0	
8PC1	8	119	1-11261-076-0 1-11261-144-2			1-12111-282-1 1-12111-282-3				IZ11920	1-8781-0324-4	
											1-8781-0534-1	
10PC1	10	119	1-11261-076-0 1-11261-111-0 1-11261-115-0 1-11261-147-2			1-12111-296-1 1-12111-419-2				IZ11930	1-8781-0323-2	
											1-8781-0424-3	
											1-8781-0476-1	
											1-8781-0676-1	
10PC1T	10	119	1-11261-076-0 1-11261-147-2			1-12111-407-2 1-12111-419-2 1-12111-495-0				IZ11940	1-8781-0477-2	
											1-8781-0549-3	
											1-8781-1175-0	
12PC	12	119	1-11261-161-1			1-12111-600-1				IZ11950	1-8781-0844-0	
DH100	6	120	9-11261-241-0			9-12111-171-0 9-12111-849-1 9-12111-742-0 1-12111-144-0	5 4 4			IZ12010	1-8781-0029-2	
											1-8781-0028-3	
											1-8781-0212-1	
											1-8781-0908-0	
6SA1TPD	6	120	1-11261-106-2			1-12111-620-1				IZ12020	1-8781-0908-0	
6SD1T	6	120	1-11261-106-2			1-12111-555-1 1-12111-567-0 1-12111-547-0				IZ12030	1-8781-0667-0	
											1-8781-0712-1	
											1-8781-0959-1	
6QA1	6	125	1-11261-074			1-12111-206-0 (1-12111-338-0)	3			IZ12510		
D920	6	125	9-11261-227-0 1-11261-017-0			1-12111-103-1				IZ12520	1-8781-0085-5	
											1-8781-0188-4	
6QA1	6	125	1-11261-091-0 1-11261-074-0 1-11261-094-1 1-11261-160-0		Cr	1-12111-338-0 1-12111-206-1				IZ12530	1-8781-0320-0	
											1-8781-0378-0	
											1-8781-0655-1	
											1-8781-0841-0	
E120	6	135	9-11261-290-0		Cu	1-12111-524-2 1-12111-526-0 1-12111-080-1	3			IZ13510	1-8781-0514-0	
											1-8781-0516-0	
E12T	6	135	9-11261-290-0			1-12111-525-0				IZ13520	1-8781-1525-0	
6RA1T	6	135	1-11261-133-0			1-12111-463-0				IZ13530	1-8781-0738-0	
6RB1	6	135	5-11261-133-0 1-11261-133-0 (1-11261-098) 1-11261-116-0 1-11261-160-0		F Cu	1-12111-473-0 1-12111-437-0 1-12111-437-0 1-12111-245-0 1-12111-505-0 1-12111-437-0	3				IZ13540	1-8781-0251-0
												1-8781-0133-0
												1-8781-0425-0
												1-8781-0468-1
												1-8781-0660-1
6RB1MT	6	135	1-11261-116-0			1-12111-580-1				IZ13550	1-8781-0798-0	

Code:S=Semi-Finish,F=Finish,ALL=S&F,B=Blacking(Phosphated),C=Chromed,P=Copper Plating,
Al(Al =Alfin,N =nonAlfin B=Both Available,CH=Cooling Channel,K=Keystone,H=Half Keystone



CAPT. PREMIUM CYLINER LINER

Engine Code.	Cyl.	Bore size	Liner O.E.Number	Length (m/m)	Code	Piston O.E. Number	Ring	Al	CH	CAPT. No.	Liner Kit Or Remark
--------------	------	-----------	------------------	--------------	------	--------------------	------	----	----	-----------	---------------------

Komatsu

4D92	4	92	6140-21-2211	185		6140-31-2113	3K			KM92010	KODKT1501
4D94	4	94	6144-21-2211			5142-31-2111	3	A		KM94010	
						6142-32-2112	3	A			
						(6142-32-2120)					
						6142-32-2110	3				
4D95	4	95	6207-21-2110 (6207-21-2120)	180		6204-31-2111	3			KM95010	
						6204-31-2121	3				
						6204-32-2151	3H				
						6204-33-2130	3				
						6204-33-2140	3				
						6201-32-2111	3				
6D95	6	95	6207-21-2110	180		6202-32-2110	3H			KM95020	
						6202-21-2120	3				
						6202-32-2130	3H				
						6202-32-2140	3				
						6202-33-2150	3				
						6202-33-2130	3				
						6202-33-2160	3				
						6206-31-2110	3				
						6206-31-2120	3				
						6206-33-2140	3				
						6207-31-2110	3K				
						6207-31-2150	3K				
						6207-31-2121	3K				
						6207-31-2131	3K				
						6207-31-2141	3K				
						6207-31-2180	3K				
						6209-31-2110	3K				
						6209-31-2120	3K				
6209-31-2141	3K										
6209-31-2150	3K										
S6D95L	6	95	6207-21-2110			6207-31-2141				KM95030	KK6207312150
4D105	4	105	6130-22-2310	117.8		6130-32-2110	3	A		KM10510	KODKT1401
			6136-21-2210			(6136-31-2112)	3				KODKT0801
			6110-21-2210			6136-31-2110	3				KODKT2001
						6130-31-2111	3				
			6130-31-2120								
S4D105	4	105	6136-21-2210	223		6131-31-2110	3K			KM10520	KODKT1701
			(6137-22-2210)			6131-31-2120	3K				
			6130-22-2310			6131-32-2120	3K				
6D105	6	105	6137-21-2210	223		6136-31-2111	3	A		KM10530	KODKT1301
			6136-21-2210			6136-31-2112	3	A			KODKT1901
			6136-21-2210			6136-32-2110	3	A			

Code:S=Semi-Finish,F=Finish,ALL=S&F,B=Blacking(Phosphated),C=Chromed,P=Copper Plating,
Al(Al =Alfin,N =nonAlfin B=Both Available,CH=Cooling Channel,K=Keystone,H=Half Keystone



CAPT. PREMIUM CYLINER LINER

Engine Code.	Cyl.	Bore size	Liner O.E.Number	Length (m/m)	Code	Piston O.E. Number	Ring	Al	CH	CAPT. No.	Liner Kit Or Remark
--------------	------	-----------	------------------	--------------	------	--------------------	------	----	----	-----------	---------------------

Komatsu

S6D105	6	105	6137-21-2210	223		6137-31-2112	3K			KM10540	KODKT1801
			6136-21-2210			6137-31-2122	3K		KODKT2101		
						6137-31-2120	3K				
						6137-32-2110	3K				
						6137-32-2130	3K				
S6D110	6	110	6138-21-2210			6138-31-2110	3K			KM11010	KK6138322110
			(6138-21-2210)			6138-32-2110	3K				
			6138-21-2211			6138-32-2120	3K				
SV6D110	6	110				6138-31-2010	3K	A		KM11020	
4D120	4	120	6110-21-2212	293		6110-33-2131	3	A		KM12010	KODKT1901
			6136-21-2210			6110-33-2132	3				
S4D120	4	120	6110-21-2212	293		6113-31-2110	3	N		KM12020	
6D120	6	120				6151-31-2511	4			KM12030	
6D125	6	125	6150-21-2221	256.5		6150-31-2110	3			KM12510	NEW
						6150-31-2111	3K				
						6150-31-2112	3K				
						6150-31-2120	3K				
						6151-31-2132	3K				
						6151-31-2160	4				
						6151-31-2170	4				
S6D125	6	125	6150-21-2221	256.5		6151-31-2511				KM12520	NEW IRON
						6152-31-2112					OLD IRON
4D130	4	130	6115-21-2211	293		6114-31-2111	3			KM13010	KK6114322112
S4D130	4	130	6115-21-2211	293		6115-31-2112	3			KM13020	
6D140	6-	140				6210-31-2132	4			KM14010	
						6212-31-2151					
S6D140	6	140				6212-31-2170				KM14020	IRON Piston (a)
						6211-32-2130					IRON Piston
						6211-31-2111					IRON Piston (w)
6D155	6	155	6128-21-2215	327		6128-31-2012	4	A		KM15510	NO PIN/CLIP
						(6128-31-2113)					
						6128-31-2140					
						6128-31-2050					
S6D155	6	155	6128-31-2214			6127-31-2030	4	A		KM15520	
SA6D155	6	155				3128-31-2410	4K			KM15530	
						6128-31-2140R	3K				
						6127-31-2115	3K				
						3127-31-2116	3K				
						6127-31-2140	3K				
SA8-V170-1B	8	170				6164-31-2110				KM17010	developed
SA6D170 (A-1B)	6	170				6162-33-2140				KM17020	
						6162-33-2110					
NT220	6	130	6610-21-2213	303		6620-31-2110	4K	A		KM13030	KODKT1601
NRT0	6	130				6685-31-2111	4K			KM13040	
NT06	6	130				6657-31-2110	4K			KM13050	
						6657-31-2111	4K				
NT855	6	140	6710-21-2210	287		6711-31-2110	4K			KM14030	
						6711-31-2010					
						6710-					
NTA855	6	140				6710-31-2111	4K			KM14040	

Code:S=Semi-Finish,F=Finish,ALL=S&F,B=Blacking(Phosphated),C=Chromed,P=Copper Plating,
 Al(Al =Alfin,N =nonAlfin B=Both Available,CH=Cooling Channel,K=Keystone,H=Half Keystone



CAPT. PREMIUM CYLINER LINER

Engine Code.	Cyl.	Bore size	Liner O.E.Number	Length (m/m)	Code	Piston O.E. Number	Ring	Al	CH	CAPT. No.	Liner Kit Or Remark
--------------	------	-----------	------------------	--------------	------	--------------------	------	----	----	-----------	---------------------

Madza

PB	4	68	0249-10-311	125		0249-99-111	3			MD68001	
						(0259-23-200)					
B1	4	68				B1T0-11-SA0	3	N		MD68002	
TB	4	70	0268-10-311			0268-23-200	3			MD70001	
						(0271-23-200)					
PC	4	70				0317-23-200	3			MD70002	
PC2	4	70				8698-23-200	3			MD70003	
E1	4	70				E101-23-200A	3			MD70004	
B3	4	71				B3Y0-11-SA0	3			MD71001	
TC	4	73				0324-23-200	3			MD73001	
						0370-23-200	3				
						8034-23-200	3				
JF	V6	74				JFY3-11-SA0	3			MD74001	
UA	4	75				0107-11-102	3			MD75001	
						(0603-23-200)	3				
						0571-23-200					
						(0572-23-200)					
UC	4	77				8569-23-200	3			MD77001	
						D410-23-200	3				
						8568-23-200	?				
E5	4	77				E501-23-200	3			MD77002	
						E502-23-200A	3				
						E580-23-200C	3				
E3	4	77				E301-23-200	3			MD77003	
						E302-23-200A	3				
UB	4	78				0222-23-200	3			MD78001	
VB	4	78				0290-23-200	3			MD78002	
						(3879-23-200)					
NA	4	78				0305-23-200	3			MD78003	
						H602-23-200	3				
						8170-23-20	3				
						(H601-23-200)					
						D27Z-6108B	3				
B6	4	78				B6Y0-11-SA0A	3			MD78004	
B6-T	4	78				DOHC Turbo	3			MD78005	
						(B6Z0-11-SA0C)					
PN	4	78				PN11-11-SA0B	3			MD78010	
VC	4	80				0453-23-200	3			MD80001	
						H802-23-200	3				
MA	4	80				3975-23-200	3			MD80002	
						4112-23-200	3				
						(8682-23-200A)	3				
						(HE01-23-200)	3				
						4116-23-200					
						(8171-23-200)					
						(H801-23-200)					
HE41-23-200											
F6	4	81				F601-23-200	3			MD82001	
						F605-23-200	3				

Code:S=Semi-Finish,F=Finish,ALL=S&F,B=Blackening(Phosphated),C=Chromed,P=Copper Plating,
Al(Al =Alfin,N =nonAlfin B=Both Available,CH=Cooling Channel,K=Keystone,H=Half Keystone



CAPT. PREMIUM CYLINER LINER

Engine Code.	Cyl.	Bore size	Liner O.E.Number	Length (m/m)	Code	Piston O.E. Number	Ring	Al	CH	CAPT. No.	Liner Kit Or Remark
--------------	------	-----------	------------------	--------------	------	--------------------	------	----	----	-----------	---------------------

Madza

VA (E2000)	4	82	0552-10-311	169		0164-23-200	4			N	MD82002		
						2477-23-200							N
						0553-23-200							
BP	4	83				BPY1-11-SA0	3				MD83001		
						(BPY1-11-SA0A)							3
						BPY3-11-SA0							
F8	4	86				F801-23-200	3				MD86001		
FE	4	86				FE01-23-200	3				MD86002		
						FE30-23-200A							3
R2(3mm) (R241)	4	86	R3B6-10-311			RF-23-200	3				MD86010		
						R2Y0-11-SA0	3						
R2(R201)	4	85.2		S							MD86020		
F2	4	86				F2Y2-11-SA0	3				MD86030		
						F2Y4-11-SA0							3
RF-T	4	86				RFY0-11-SA0A	3				MD86040		
RF	4	86				RF01-23-200C	4				MD86050		
						RF01-23-200A							3
XA(N) (E2500)	4	88.4 88.9	0636-10-311	167	S	0559-23-200	5				MD88401		
			S501-23-051			(0636-23-200)							3
			(NEW)			(0750-23-200)							
						0911-99-111B							
S5	4	88.9				S501-23-200	3				MD88910		
						(S501-99-111)							
YA	4	88.9				0559-23-200	5				MD88920		
						(0636-23-200)							
						(0750-23-200)							
S2	4	89	1456-23-051	167.1		1456-23-200A	3				MD89010	MZDKT0801	
						8259-23-200A						3	MZDKT0501
ZB(T4100)	6	92	V101-23-051	191		V101-23-200A	6				MD92010	MZDKT0902	
VB(2700)	4	92	0527-23-051-SM	191		0528-23-200A					MD92020		
XB (2700)	4	92.0 91.5	0527-23-051-AF	191	S	0528-23-200A	5				MD92010	MZDKT0601	
											MD91510		
XB (E2000)	4	92	0552-10-311			0553-23-200A					MD92020		
ZB (E4100)	6	92	V101-23-051			0528-23-200	5				MD92030		
						V101-23-200							3
HA	4	95	SE01-23-051			SE01-23-200A	3				MD95010	MZDKT0901	
						1363-23-200							
HA (E3000)	4	95	SE01-23-051 1363-23-51			0933-23-200A	3				MD95020	MZDKT0901	
HA (T3000) NEW	4	95	SE01-23-051	191		SE01-23-200A	3				MD95030		
SL	4	100	SL07-23-051	194		SLY1-11-106A	3				MD10010		
						SL50-23-200A							3
SL (T3500) (SL01)	4	100	SL07-23-051	194		SL01-23-200A	3H				MD10020	KKSL0123200A	
			SL01-23-311			SL07-23-200A							3
						SL01-23-200A							3
SL (T3500T)	4	100	SL07-23-051	194		SL50-11-SA0	3				MD10030		

Code: S=Semi-Finish, F=Finish, ALL=S&F, B=Blacking(Phosphated), C=Chromed, P=Copper Plating,
Al(Al =Alfin, N =nonAlfin B=Both Available, CH=Cooling Channel, K=Keystone, H=Half Keystone



CAPT. PREMIUM CYLINER LINER

Engine Code.	Cyl.	Bore size	Liner O.E.Number	Length (m/m)	Code	Piston O.E. Number	Ring	Al	CH	CAPT. No.	Liner Kit Or Remark
--------------	------	-----------	------------------	--------------	------	--------------------	------	----	----	-----------	---------------------

Madza

SLA1	4	100				SLA1-11-SA0	3			MD10040	
SLM1	4	100				SLM1-11-SA0	3			MD10050	
T4000	4	100	SL01-10-311	194						MD10060	
TF	4	105.5				TFY1-23-103	4	A		MD10510	
						TF20-11-AS0	3	A			
						TF01-11-SA0	3	A			

Code:S=Semi-Finish,F=Finish,ALL=S&F,B=Blacking(Phosphated),C=Chromed,P=Copper Plating,
Al(Al =Alfin,N =nonAlfin B=Both Available,CH=Cooling Channel,K=Keystone,H=Half Keystone



CAPT. PREMIUM CYLINER LINER

Engine Code.	Cyl.	Bore size	Liner O.E.Number	Length (m/m)	Code	Piston O.E. Number	Ring	Al	CH	CAPT. No.	Liner Kit Or Remark
--------------	------	-----------	------------------	--------------	------	--------------------	------	----	----	-----------	---------------------

Mitsubishi

G11B	4	69.5				MD030312	3			MT69501	
2G23	2	70				MD019851	3			MT70001	
G23B	2	70				MD097640	3			MT70002	
G13B	4	71				MD074677	3			MT71001	
4G13	4	71				MD099759	3			MT71002	
						MD148167	3				
4G42	4	71				MD010690	3			MT71003	
						(MD011946)					
						MD011236	3				
4G33	4	73				MD002710	3			MT73001	
						(MD002851)	3				
						MD009580					
						(MD009581)					
G33B	4	73				MD009541	3			MT73002	
4G36	4	73				MD000796	3			MT73003	
						MD009561	3				
G33B	4	73				MD106535	3			MT73004	
G12B	4	74				MD030322	3			MT74001	
4G31	4	74.5				MD002675	3			MT74501	
G15B	4	75.5				MD074715	3			MT75501	
G15	4	75.5				MD099770	3			MT75502	
2G24	2	76				MD018248	3			MT76001	
4G15	4	76				MD148157	3			MT76002	
						(MD320295)					
4G41	4	76.5				MD010670	3			MT76501	
						(MD011176)					
4G41R	4	76.5				MD011941	3			MT76502	
G32B	4	76.9				MD009521	3			MT76901	
4G32	4	76.9				MD004767	3			MT76902	
						(MD008861)	3				
						MD004670					
						(MD004761)					
						(MD008851)					
G32T	4	76.9				MD074471	3			MT76903	
						MD079158	3				
4G32	4	76.9				MD105495	3			MT76904	
G32B	4	76.9				MD100405	3			MT76905	
4DQ30	4	77				30417-70100	3			MT77001	
2G25	4	78				MD066577	3			MT78001	
JH4	4	79.4	JM60332	206						MT79401	
4G62	4	80.6				MD040571	3			MT80601	
G37B	4	80.6				MD074210	3			MT80602	
G62BT	4	80.6				MD040471	3			MT80603	
						MD074221	3				
4G37	4	80.6				MD100416	3			MT80604	
4D65	4	80.6				MD061985	3			MT80610	
4D65T	4	80.6				MD072264	3			MT80620	
						MD131615	3				
4G51	4	81				MD023031	3			MT81001	
S3E9	4	82				34617-00100	3			MT82010	

Code:S=Semi-Finish,F=Finish,ALL=S&F,B=Blacking(Phosphated),C=Chromed,P=Copper Plating,
Al(Al =Alfin,N =nonAlfin B=Both Available,CH=Cooling Channel,K=Keystone,H=Half Keystone



CAPT. PREMIUM CYLINER LINER

Engine Code.	Cyl.	Bore size	Liner O.E.Number	Length (m/m)	Code	Piston O.E. Number	Ring	AI	CH	CAPT. No.	Liner Kit Or Remark
--------------	------	-----------	------------------	--------------	------	--------------------	------	----	----	-----------	---------------------

Mitsubishi

4DQ1	4	82	30607-20301	162.5		30617-20109	4			MT82020	
4DQ5	4	84	30607-50301 (30607-50401)	163	S	30617-57105 30617-62100				MT84010	MFDKT6500 MFDKT6700
4DQ50	4	84				30617-60103 30617-63100	3 3			MT84020	
4G52	4	84				MD021000 (MD021058)	3			MT84001	
G52B	4	84				MD021192	3			MT84002	
KE47	4	85				MD013924	3			MT85001	
G63B	4	85				MD040591 MD040821	3 3			MT85002	
G63T	4	85				MD041641	3			MT85003	
G63B	4	85				MD100372	3			MT85004	
4G63	4	85				MD129942	3			MT85005	
4G64	4	86.5				MD105377 MD068759	3 3			MT86501	
4G53	4	88				MD024921	3			MT88001	
G54B	4	91.1				MD024947 (MD024991) (MD026861) MD061248 (MD128450)	3 3			MT91101	
4G54	4	91.1				MD080394	3			MT91102	
G54B	4	91.1				MD026921 MD071172 MD026871	3 3 3			MT91103	
4D55T	4	91.1				MD050011	3			MT91110	
4D55	4	91.1	MD050430 (MD050243)		S	MD050021	3			MT91120	
4D56	4	91.1	MD103648 (MD103649)			MD103318	3			MT91130	
4D56T	4	91.1				MD103308	3			MT91140	
6G72	6	91.1				MD194548 MD158317 MD119671(R) (MD152563(L))	3 3 3			MT91150	
4DR5	4	92	31607-02202 (310607-02301)		S	31617-00106	4			MT92010	MFDKT4101
6DR5	6	92	31607-02101 (310607-02310)		S	31617-00106 ME002044	4			MT92020	ME999054
4DR51	4	92	ME001245 31607-02101			ME002044	4			MT92030	KKME002044
4DR5	4	92				ME002117	4			MT92040	
6G74	V6	93				MD189498	3			MT93001	
S4FT	4	94				36717-09100	3H			MT94010	
S4S	4	94				32A17-00100	3H			MT94020	
S6E	6	94	34407-00301			34417-20101				MT94030	KK3441720101
S6E2	6	94	34407-05400			34417-54100				MT94040	KK3441754100
6DS1	6	95	ME020306	191.2		ME023255				MT95010	ME023254
6DS3	6	95	ME021841			ME023267				MT95020	ME023266

Code: S=Semi-Finish, F=Finish, ALL=S&F, B=Blacking(Phosphated), C=Chromed, P=Copper Plating, AI(AI =Alfin, N =nonAlfin B=Both Available, CH=Cooling Channel, K=Keystone, H=Half Keystone



CAPT. PREMIUM CYLINER LINER

Engine Code.	Cyl.	Bore size	Liner O.E.Number	Length (m/m)	Code	Piston O.E. Number	Ring	Al	CH	CAPT. No.	Liner Kit Or Remark
--------------	------	-----------	------------------	--------------	------	--------------------	------	----	----	-----------	---------------------

Mitsubishi

SE	4	98				34417-09100	3H			MT98010	
SE2T	4	98				34417-23102				MT98020	
S4E (-4)	4	98	34407-00301	168.5	S	34417-04100(1) 34417-20100(1)				MT98030	MFDKT7300 KK3441720100
S4E 2-4	4	98	34407-05400		S					MT98040	
6DS3	6	98	ME021841	201.2						MT98050	
6DS5	6	98	ME020316	191.2		ME023262				MT98060	ME023261
6DS7(O)	6	98	ME021843	201.2		ME024402 ME023274-03	3			MT98070	ME024019
6DS70 (N)	6	98	ME029187	206.2		ME024402	3			MT98080	MFDKT5904
S6B2T	6	98				34417-23101	3H			MT98090	
SFT	4	98				36717-10100	3H			MT98091	
4D30	4	100	ME011513 (ME011523)	196.5	S	ME012051 (ME012090) ME012065	3			MT10010	MFDKT4201
						ME012001 (ME012100) ME012115					
							3				
							3				
							3				
4D31	4	100	ME011604 (ME011625)		S	ME012131	3			MT10020	ME999709
						ME012906	3				
						ME012889	3				
4D31 (4D31T)	4	100	ME011604 (ME011625)		S	ME012145 (ME012160)	3			MT10030	
4D31T	4	100	ME011604			ME012135	3			MT10040	MFDKT6900 KK012155
						ME012858	3				
						ME012155	3				
6D31	6	100				ME012889	3			MT10050	
6D31T	6	100				ME012858	3			MT10060	
4D31T	4	100				ME012155	3			MT10070	
						ME012810	3				
S4K	4	102	34307-00501		S					MT10210	
S6K	6	102	34307-00501		S					MT10220	
S6KT	6	102				ME517792				MT10230	
4D32	4	104	ME012900		S	ME012174	3			MT10410	Junior
4D34	4	104	ME013366 (ME013367)		S					MT10420	
4D34T	4	104				ME013325	3			MT10430	
4D34A	4	104				ME012901	3			MT10440	
6D10	6	105	ME031502~4			ME032194 (ME032300)	3			MT10510	MFDKT0801
6D11	6	105	ME031505~7			ME032301	3			MT10520	MFDKT0901
4D33	4	108	KK4D33			ME012897	3			MT10810	
S4E2	4	110	34407-05400			34417-54100				MT11010	KK3441754100

Code: S=Semi-Finish, F=Finish, ALL=S&F, B=Blacking(Phosphated), C=Chromed, P=Copper Plating,
Al(Al =Alfin, N =nonAlfin B=Both Available, CH=Cooling Channel, K=Keystone, H=Half Keystone



CAPT. PREMIUM CYLINER LINER

Engine Code.	Cyl.	Bore size	Liner O.E.Number	Length (m/m)	Code	Piston O.E. Number	Ring	Al	CH	CAPT. No.	Liner Kit Or Remark
--------------	------	-----------	------------------	--------------	------	--------------------	------	----	----	-----------	---------------------

Mitsubishi

6D14	6	110	ME031617(NEW)			ME032216/98 (ME032531) (ME032619/21) ME032656 (ME033916) ME072042	3			MT11020	MFDKT5905
						ME072024					
						ME072022					
						ME072172	3				
						ME032626					
							3				
							3				
							3				ME999442
							3				KK032626
					3					MFDKT5605	
6D14T	6	110	ME031617 ME071175 (ME071198,99,200) ME071174 (ME071178,79,80)	211		ME032742	3			MT11030	KK032742
						ME072047					ME997452
						ME072170					ME997080
						ME032569					ME999115
6D141A	6	110	ME031617			ME032669				MT11040	ME999441
6DB1	6	110	ME040040			300177-0102	4			MT11050	30094-01100
						30017-90100					30094-02100
						30017-97100					30094-02600
						30017-92101					
6DB1T (6DB)	6	110	30007-62200			30017-99100				MT11060	31194-00402
6D15	6	113	ME031655,56,57 (OLD) ME071041(NEW)			ME072033 (ME072035) ME032595	3			MT11310	MFDKT6201
						ME032593	3				MFDKT6301
						ME032661					
						ME033934					
6D15T (3AT)	6	113	ME031656	211		ME032870				MT11320	MFDKT6002
			ME047574			ME072055					ME997463
			ME071062-64								
6D15K	6	113	ME047570	211						MT11330	
6D-16	6	118	ME071225 ME041105	F		ME072062				MT11810	ME999923 ?
			ME071128			ME999923					
						MFDKT7400					
			ME071224			ME072064					
6D-16T	6	118	ME041105			ME072065				MT11820	ME999945
6D-20 (6D21)	6	125	30907-10500			30907-10103				MT12510	MFDKT4501
			ME051554			ME052469					ME999317
6D22	6	130	ME051217			ME052447				MT13010	MFDKT4302
						ME052939					ME997306
						ME052902					ME999443
			ME051221 (ME051633) (ME051501~3)								

Code:S=Semi-Finish,F=Finish,ALL=S&F,B=Blacking(Phosphated),C=Chromed,P=Copper Plating,
Al(Al =Alfin,N =nonAlfin B=Both Available,CH=Cooling Channel,K=Keystone,H=Half Keystone



CAPT. PREMIUM CYLINER LINER

Engine Code.	Cyl.	Bore size	Liner O.E.Number	Length (m/m)	Code	Piston O.E. Number	Ring	AI	CH	CAPT. No.	Liner Kit Or Remark
--------------	------	-----------	------------------	--------------	------	--------------------	------	----	----	-----------	---------------------

Mitsubishi

6D22H	6	130	ME051217			ME052517				MT13020	MFDKT5912
6D22T	6	130	ME051217			ME052792				MT13030	ME997031
						ME052791					ME997122
						ME052664					ME999594
6DC2	6	130	ME061158(OLD)							MT13040	
6DC2 (NEW)	6	130	31207-72603 (31207-72503)							MT13050	
8DC2	8	130	31207-43401 (30207-02202) ME062526			31117-14102				MT13060	31294-51015
						31217-77101					ME999331
8DC2N	8	130	ME062526			31217-77101				MT13070	31294-71070
8DC4	8	130	31207-43401 (30207-02202) ME062526			31217-50106				MT13080	31294-51023
						ME062273					ME999145
8DC7	8	130	31207-43401 (30207-02202) ME062526			ME062280				MT13090	ME999147
6D40	6	135	ME120028			ME120684				MT13510	ME997307
8DC6 (OLD)	8	135	31207-63202 ME062379			31217-64104				MT13520	31294-65052
						31217-78101					MFDKT6001
8DC8 (OLD)	8	135	31207-63202 ME062379			31217-67106				MT13530	31294-66065
						31217-68104 ME062287					31294-66073
											ME999148
8DC6(N)	8	135	31207-72104	Cr						MT13540	
8DC8(N)	8	135	31207-72104	Cr						MT13550	
8DC81	8	135	ME062379			ME062422				MT13560	MFDKT4601
8DC82	8	135	ME062379			ME090132				MT13570	MFDKT6300
						ME090717					ME997013
8DC9	V8	135	ME062604 ME061141	Cr		ME062408	4			MT13580	MFDKT5604
8DC31	V8	135				ME090132 (ME090134)	3			MT13590	
8DC91	8	135	ME062602 ME062604			ME091048				MT13591	ME997303
						ME090139					MR999507
8DC91T	8	135	ME062602			ME090166				MT13592	ME997134
8DC9T	8	135	ME062604			ME065579				MT13593	ME999435
8DC-92	8	135								MT13594	
8DC-82	8	135								MT13595	
12DH	12	135				32317-00103	4			MT13596	
S6A	6	135				36217-40101	4			MT13597	
S6B	6	135				36217-30101				MT13598	
						36217-30700					
						36217-70700					
S6B3	6	135				34A17-00200	4			MT13599	
S6BFMTK	6	135				36217-41200	4			MT13581	
8DC10	8	138	ME090221			ME090230				MT13810	ME997029
8DC-11	8	142	ME060439			ME091050				MT14210	ME997305
						ME090165					ME999989

Code:S=Semi-Finish,F=Finish,ALL=S&F,B=Blacking(Phosphated),C=Chromed,P=Copper Plating,
AI(AI =Alfin,N =nonAlfin B=Both Available,CH=Cooling Channel,K=Keystone,H=Half Keystone



CAPT. PREMIUM CYLINER LINER

Engine Code.	Cyl.	Bore size	Liner O.E.Number	Length (m/m)	Code	Piston O.E. Number	Ring	Al	CH	CAPT. No.	Liner Kit Or Remark
--------------	------	-----------	------------------	--------------	------	--------------------	------	----	----	-----------	---------------------

Mitsubishi

S8A	8	143				31217-06101	4			MT14310	
SA1	8	145				32517-00101	4			MT14510	
S6A	6	145				32598-19700	4			MT14520	
						32517-50400	4				
						32517-60200	4				
SA1	6	145				32517-60300	4			MT14530	
						32517-60400	4				
SA2	6	150				32517-91100	4			MT15010	
S6A3	6	150				35A17-30100	4			MT15020	
SN	6	160				37117-26100	5			MT16010	
SN2	6	160				37117-73200	5			MT16020	
S6R	6	170				37517-20100	5			MT17010	

Code:S=Semi-Finish,F=Finish,ALL=S&F,B=Blacking(Phosphated),C=Chromed,P=Copper Plating,
Al(Al =Alfin,N =nonAlfin B=Both Available,CH=Cooling Channel,K=Keystone,H=Half Keystone



CAPT. PREMIUM CYLINER LINER

Engine Code.	Cyl.	Bore size	Liner O.E.Number	Length (m/m)	Code	Piston O.E. Number	Ring	Al	CH	CAPT. No.	Liner Kit Or Remark
--------------	------	-----------	------------------	--------------	------	--------------------	------	----	----	-----------	---------------------

Nissan

MA10	4	68				12010-01B01	3			NS68001	
						(12010-01B02)					
						(12010-01B03)					
MA12	4	71				12010-16B61	3			NS71001	
J13	4	73				12010-13201	3			NS73001	
						(12010-B5101)					
A10	4	73				12010-18021	3			NS73002	
						(12010-H2301)					
						(12010-H2361)					
A12	4	73	11012-H1000	S		12010-H1001	3			NS73003	
						(12010-H1011)					
						(12010-H1061)					
A13	4	73				12010-H6201	3			NS73004	
						(12010-H6211)					
D11	3	73				1210-H2361				NS73005	
E10S	4	73				12010-41M02	3			NS73006	
GA14	4	73.6				12010-87A61	3			NS73601	
A12S	4	75				12010-H8511	3			NS75001	
						(12010-H8521)					
A12	4	75				12010-H9012	3			NS75002	
						12010-H9022	3				
A12A	4	75				12010-H9502	3			NS75003	
						(12010-H9512)					
A14	4	76	11012-H7200	S		12010-H7201	3			NS76001	
						(12010-H7211)					
						(12010-H7711)					
A14S	4	76				12010-H7511	3			NS76002	
						(12010-H7521)					
						(12010-H7685)					
						12010-H8911/21	3				
						(12010-H8931)					
(12010-H9221)											
A14	4	76				12010-H7684	3			NS76003	
						12010-H8702	3				
A15S	4	76				12010-G3411	3			NS76004	
						(12010-G3421)					
						(12010-H9261)					
A15	4	76				12010-H9704	3			NS76005	
						12010-H9714	3				
						12010-H9802	3				
E13S	4	76				12010-01M02	3			NS76006	
						(12010-01M12) 12010-01M22	3				
E15S	4	76				12010-11M02	3			NS76007	
						(12010-11M12)					
						(12010-19M02)					

Code:S=Semi-Finish,F=Finish,ALL=S&F,B=Blacking(Phosphated),C=Chromed,P=Copper Plating, Al(Al =Alfin,N =nonAlfin B=Both Available,CH=Cooling Channel,K=Keystone,H=Half Keystone



CAPT. PREMIUM CYLINER LINER

Engine Code.	Cyl.	Bore size	Liner O.E.Number	Length (m/m)	Code	Piston O.E. Number	Ring	Al	CH	CAPT. No.	Liner Kit Or Remark
--------------	------	-----------	------------------	--------------	------	--------------------	------	----	----	-----------	---------------------

Nissan

E15	4	76				12010-19M22	3			NS76008	
						(12010-73A22)					
						12010-11M22	3				
						(12010-13M02)					
						(12010-13M22)					
						12010-15M02	3				
E15T	4	76				12010-17M12	3			NS76009	
E15	4	76				12010-31M02	3			NS76009A	
E16	4	76				12010-33M22	3			NS76009B	
A13	4	76				12010-H8661	3			NS76009C	
GA16S	4	76				12010-94M61	3			NS76009D	
GA16DS	4	76				A2010-74Y00	3			NS76009E	
J15 J16	4	77.95	11012-B3000	S		12010-01W02/12 (12010-E3002)	3			NS77901	
L20	6	77.95				12010-E3001	3			NS77902	
L20A	6	77.95				12010-F5112	3			NS77903	
						(12010-Y7002)					
						(12010-Y7012)					
						12010-Y4002	3				
						(12010-Y6402/12)					
						A2010-E3019)	3				
L20T	6	77.95				12010-V0301	3			NS77904	
L20	6	77.95				12010-V0301	3			NS77905	
L20E	6	77.95				12010-03L02	3			NS77906	
						(12010-14S01)					
L20	6	77.95				12010-15S02	3			NS77907	
						(12010-15S12)					
VG20	V6	77.95				12010-V5101	3			NS77908	
VG20ET	V6	77.95				12010-V5311	3			NS77909	
CA16	4	77.95				12010-06E01/11	3			NS77909A	
						(12010-D1101/11)					
RB20E	4	77.95				12010-55S01	3			NS77909B	
CD17	4	80				12010-16A02	3			NS80010	
						12010-17A02	3				
						12010-71A02	3				
J18	4	80.5				12010-J22G0	3			NS80501	
L13 L14	4	83				12010-22001	3			NS83001	
						(12010-22101)					
L14	4	83				12010-H2701	3			NS83002	
						12010-H2711	3				
						12010-69811	3				
						12010-H2501	3				
						(12010-H2511)					
	4	83				12010-U8772	3			NS83003	
L13,L14, L16T	4	83	11012-21000	S		12010-A8601	3			NS83004	
						(12010-A8612)					

Code:S=Semi-Finish,F=Finish,ALL=S&F,B=Blacking(Phosphated),C=Chromed,P=Copper Plating,
Al(Al =Alfin,N =nonAlfin B=Both Available,CH=Cooling Channel,K=Keystone,H=Half Keystone



CAPT. PREMIUM CYLINER LINER

Engine Code.	Cyl.	Bore size	Liner O.E.Number	Length (m/m)	Code	Piston O.E. Number	Ring	Al	CH	CAPT. No.	Liner Kit Or Remark
--------------	------	-----------	------------------	--------------	------	--------------------	------	----	----	-----------	---------------------

Nissan

L16	4	83				12010-23002	3			NS83005	
						(12010-E3101)					
						12010-A9601	3				
						(12010-A9611)					
						12010-A3501	3				
						(12010-A3512)					
Z16	4	83				12010-W7111	3			NS83006	
CA18	4	83				12010-01F01/11 (12010-D0301) (12010-D1201)	3			NS83007	
CA18ET	4	83				12010-17F11	3			NS83008	
Z16	4	83				12010-W7161	3			NS83009	
L23	6	83				12010-69811	3			NS83009A	
L24	6	83				12010-E3111	3			NS83009B	
L24E	6	83				12010-A8601	3			NS83009C	
						(12010-A8612)					
L24S	6	83				12010-27L02	3			NS83009D	
L24	6	83				12010-H2501	3			NS83009E	
						(12010-H2511)					
L24E	6	83				12010-W2402	3			NS83009F	
						12010-W3102	3				
L26	6	83				12010-23002	3			NS83009G	
						(12010-E3101)					
SD22	4	83	11013-76200			12010-R8110	3			NS83010	NDDKT3001
						12010-36W10	3				
						(12010-R8111)					NDDKT0401
						12010-J5310	5				NDDKT0301
						(12010-Y1411)					
						(12010-Y5210)					
						(12010-Y5211)					
						12010-Y5212	5				NDDKT2401
						12010-J5312					NDDKT2201
						12010-J5312					NDDKT2310
SD33 SD33T	6	83				12010-C8602	3			NS83020	
						12010-C8701					
CA20S	4	84.5				12010-D1801	3			NS84501	
CA20	4	84.5				12010-04F01	3			NS84502	
						(12010-04F11)					
						(12010-10F01)					
						12010-13E11					
							3				
LD28	4	84.5				12010-V0702	3			NS84510	
						(12010-V5702)					
						12010-V0762	3				
						(12010-W2502)					
G16	6	85				12010-R3001	3			NS85001	
						(12010-R3011)					
G18	4	85				12010-78508	3			NS85002	
						(12010-78515)					
						12010-R3301	3				

Code: S=Semi-Finish, F=Finish, ALL=S&F, B=Blackening(Phosphated), C=Chromed, P=Copper Plating, Al(Al =Alfin, N =nonAlfin B=Both Available, CH=Cooling Channel, K=Keystone, H=Half Keystone



CAPT. PREMIUM CYLINER LINER

Engine Code.	Cyl.	Bore size	Liner O.E.Number	Length (m/m)	Code	Piston O.E. Number	Ring	Al	CH	CAPT. No.	Liner Kit Or Remark
--------------	------	-----------	------------------	--------------	------	--------------------	------	----	----	-----------	---------------------

Nissan

L18	4	85	11012-U2000			12010-A8701	3			NS85003	
						(12010-W2000)					
						12010-A8711	3				
						(12010-W0801)					
						(12010-W0811)					
12010-U2021											
L20(B)	4	85	11012-U6000	S		12010-U6001	3			NS85004	
						(12010-U6011)					
						12010-04W01	3				
Z18	4	85				12010-N8301/11	3			NS85005	
						(12010-S5801)					
						(12010-W0421/1101)					
						(12010-W1501)					
Z20	4	85				(12010-W1511)	3			NS85006	
						12010-W1411	3				
						(12010-W1421)					
						(12010-W1461)					
						12010-W4001	3				
12010-82W01	3										
Z20S	4	85				12010-N8501/11	3			NS85007	
						(12010-N8521)					
						(12010-N8701)					
						12010-N8711	3				
Z20	4	85				12010-N8411	3			NS85008	
						12010-N8421	3				
						12010-V2801	3				
LD20	4	85				12010-18L02	3			NS85010	
						(12010-W1702)					
						12010-W1762	3				
LD20T	4	85				12010-W3402	3			NS85020	
LD20	4	85				12010-G5502	3			NS85030	
						12010-G5562	3				
RD28	6	85				12010-22J64	3			NS85040	
						A2010-V7213	3				
P680	6	3-3/8				12010-58000	3			NS85701	
						(12010-58022)	3				
						12010-58100					
						(12010-80000)					
L28E	6	86				(12010-C8010)				NS86001	
						12010-Y4111	3				
						(12010-Y4121)					
						12010-Y8602	3				
						(12010-Y8612)					
12010-P7902	3										
12010-P7912)											
L28S	6	86				12010-C6412	3			NS86002	
L28	6	86				12010-P9012	3			NS86003	
RB26	V6	86				A2010-05U11	3			NS86004	
RB24S	6	86				12010-76L01	3			NS86005	
SR20DE	4	86				A2010-63J00	3			NS86006	
SR20DET	4	86				A2010-54C00	3			NS86007	

Code:S=Semi-Finish,F=Finish,ALL=S&F,B=Blacking(Phosphated),C=Chromed,P=Copper Plating, Al(Al =Alfin,N =nonAlfin B=Both Available,CH=Cooling Channel,K=Keystone,H=Half Keystone



CAPT. PREMIUM CYLINER LINER

Engine Code.	Cyl.	Bore size	Liner O.E.Number	Length (m/m)	Code	Piston O.E. Number	Ring	Al	CH	CAPT. No.	Liner Kit Or Remark
--------------	------	-----------	------------------	--------------	------	--------------------	------	----	----	-----------	---------------------

Nissan

RB30	6	86				12010-67S11	3			NS86008	
						(12010-67S21)					
Z22S	4	87				12010-06W11	3			NS87001	
Z22	4	87				12010-D8101	3			NS87002	
VG30	V6	87				12010-V5901	3			NS87003	
						(12010-V7101)					
VG30E	V6	87				12010-21P61	3			NS87004	
						A2010-10G61	3				
						12010-V7161	3				
VG30ET	V6	87				12010-02P01	3			NS87005	
						(12010-03P01)					
VG30DE	V6	87				A2010-96E00	3			NS87006	
H20	4	87.2	11012-14600	S		12010-74001	3			NS87201	
						(12010-R9001)					
						12010-74501	3				
U20	4	87.2				12010-25511	3			NS87202	
G20	4	89				12010-E6831	3			NS89001	
						12010-E6621	3				
FJ20ET	4	89				12010-R2201	3			NS89002	
Z24	4	89				12010-83W01	3			NS89003	
						12010-30W01	3				
KA24E	4	89				12010-86G20	3			NS89004	
KA24	4	89				A2010-30R12	3			NS89005	
SD23	4	89	11012-L2002			12010-09W10	3			NS89010	NDDKT3101
						(12010-T6202/12)					
						(12010-T6272)					
						12010-09W01					
						(12010-29W00)	3				NDDKT3201
						(12010-6203/13/73)					
						12010-T6205					
12012-L6203											
		3	NDDKT3801								
SD25	4	89	11012-L2002			12010-L2002	3			NS89020	11000-L2000
						(12010-L2012)					
						(12010-L2072)					
						12010-T7210	3				NDDKT3401
						(12010-T7211)					
						12011-T7200					
						12011-T7204					
						12011-T7205					
			NDDKT4101 NDDKT3002								
TD23	4	89	11012-02N10			12011-02N01	3			NS89030	
						(12010-02N11)					
						12010-02N06/7	3				
						(12010-02N16/7)					
BD25	4	92.9				12010-87G11	3			NS92910	
TS25	4	92.9				12010-44G02	3			NS92920	
TD25	4	93	11012-44G10			12011-44G10				NS93010	KK1201144G10
TB42	4	96				12010-03J61	3			NS96001	
BD30	4	96				12010-54T00	3			NS96010	

Code: S= Semi-Finish, F= Finish, ALL= S&F, B= Blacking (Phosphated), C= Chromed, P= Copper Plating, Al (Al = Alfin, N = non Alfin B= Both Available, CH= Cooling Channel, K= Keystone, H= Half Keystone



CAPT. PREMIUM CYLINER LINER

Engine Code.	Cyl.	Bore size	Liner O.E.Number	Length (m/m)	Code	Piston O.E. Number	Ring	Al	CH	CAPT. No.	Liner Kit Or Remark
--------------	------	-----------	------------------	--------------	------	--------------------	------	----	----	-----------	---------------------

Nissan

TD27	4	96	11012-43G00			12011-43G01	3			NS96020	KK1201143G01
						12010-43G02					
						(12010-43G12)	3				
						12010-10T02					
TD27A	4	96	11012-43G00			12011-10T02				NS96030	KK1201110T02
TD42	6	96				12010-43G02	3			NS96040	
						(12010-43G12)					
ED30	4	98	11012-J2000			12010-J2000	3			NS98010	11000-J2000
						(12010-J2001)					
						12010-J5571	3				
ED33	4	100	12011-T9000			12011-T9000	3			NS10010	12012-T9000
						12010-J6500/01	3				
						(12010-T9000/10)					
						(12010-T9020)					
FD33	4	100	12012-02T00			12011-T9313				NS10020	
FD33T	4	100	11012-02T00			12011-T9313	3			NS10030	NDDKT3701
						12011-T9314	3				
						12010-T9300					
ED6	6	100	11012-Z5001			12011-Z5002				NS10040	11000-Z5026
FD6	6	100	11012-Z5020			12011-Z5572	3			NS10050	11000-Z5031
			11021-Z5001			12011-Z5571					11000-Z5058
			11012-Z5001			12011-Z5505	3				11000-Z5057
						12011-Z5573					11000-Z5061
						12011-Z5502					NDDKT2701
						12011-Z5512					NDDKT2801
						12011-Z5516					NDDKT2501
						12010-Z5576					NDDKT4300
FD6T	6	100	11012-Z5001			12011-Z5509	3			NS10060	11000-Z5029
					12011-Z5513		11000-Z5059				
			11012-Z5020		12011-Z5509		11000-Z5030				
			11012Z5100		12011-Z5572		11000-Z5060				
					12010-Z5600		NDDKT4100				
FD35	4	102.5				12010-01T14	3			NS10210	
FD35T	4	102.5				12010-01T13	3			NS10220	
ED35	4	102.5				12010-56T12	3			NS10230	
FE6	6	108	11012-Z5518			12011-Z5618				NS10810	NDDKT4200
			11012-Z5604			12011-Z5801					11000-Z5525
FE6A	6	108	11012-Z5604			12011-Z5760				NS10820	11000-Z5529
FE6B	6	108	11012-Z5604			12011-Z5764				NS10830	11000-Z5625
FE6T	6	108	11012-Z5604			12011-Z5702				NS10840	11000-Z5628
UD3	3	110				12010-90000	6			NS11010	
UD4	4	110				12010-90000	6			NS11020	
UD5	5	110				12010-90000	6			NS11030	
UD6	6	110				12010-90000	6			NS11040	
UD8	8	110				12010-90000	6			NS11050	
ND6	6	110	11012-95002			12011-95000	3			NS11060	11000-95026
ND6T	6	110	11012-95002			12011-95004	3			NS11070	11000-95030
NE6T	6	110	11012-95002			12011-95062	3			NS11080	KK1201195062
			11012-95064			12011-95074					11000-95128

Code:S=Semi-Finish,F=Finish,ALL=S&F,B=Blacking(Phosphated),C=Chromed,P=Copper Plating, Al(Al =Alfin,N =nonAlfin B=Both Available,CH=Cooling Channel,K=Keystone,H=Half Keystone



CAPT. PREMIUM CYLINER LINER

Engine Code.	Cyl.	Bore size	Liner O.E.Number	Length (m/m)	Code	Piston O.E. Number	Ring	Al	CH	CAPT. No.	Liner Kit Or Remark
--------------	------	-----------	------------------	--------------	------	--------------------	------	----	----	-----------	---------------------

Nissan

NE6	6	110	11012-95002			12011-95010	3			NS11090	11000-95027
						12011-95073					11000-95028
						12011-95105	3				KK1201195105
PD6	6	125	11012-96001			12011-96000	3			NS12510	11000-96028
						(12011-96007)					
PD6H	6	125	11012-96001			12011-96008				NS12520	11000-96027
PD6T	6	125	11012-96001			12011-96005	3			NS12530	11000-96029
						(12011-96009)					
PE6	6	133	11012-96501			12011-96516	3			NS13310	11000-96125
						12001-96570					
						12011-96508					11000-96129
PE6H	6	133	11012-96501			12011-96517				NS13320	11000-96128
			11012-96566			12011-96518					KK1201196518
PE6T	6	133	11012-96501			12011-96565	3			NS13330	11000-96127
			11012-96566			12011-96578	11000-96328				
			11012-96566			12011-96964	11000-96426				
			11012-96501T			12011-96572	KK1201196572				
PE6TA	6	133	11012-96566			12011-96600				NS13340	11000-96528
			11012-96501			12011-96565					11000-96565
RD8	V8	135	11012-97025			12011-87079	3			NS13510	11000-97026
			11012-97063			12011-97079					11000-97029
						(12011-97012)					
						12011-97169					11000-97090
						12011-97004/06					
RD8T	8	135	11012-97001			12011-97177				NS13520	11000-97028
RD10	V10	135				12011-97004/06	3			NS13530	
						(12011-97012/79)					
RE8	8	135	11012-97118			12011-97107				NS13540	11000-97079
			11012-97161			F.Cr					
			11012-97202			F.Cr					
RE8A	8	135	11012-97165			12011-97118				NS13550	11000-97128
RF8	8	138	11012-97171(8)			12011-97162				NS13810	11000-97326
						12011-97165					11000-97327
						12011-97161					11000-97228
			11012-97164			F.Cr					12011-97165

Code:S=Semi-Finish,F=Finish,ALL=S&F,B=Blacking(Phosphated),C=Chromed,P=Copper Plating,
Al(Al =Alfin,N =nonAlfin B=Both Available,CH=Cooling Channel,K=Keystone,H=Half Keystone



CAPT. PREMIUM CYLINER LINER

Engine Code.	Cyl.	Bore size	Liner O.E.Number	Length (m/m)	Code	Piston O.E. Number	Ring	Al	CH	CAPT. No.	Liner Kit Or Remark
--------------	------	-----------	------------------	--------------	------	--------------------	------	----	----	-----------	---------------------

Subaru

EK23	2	76				48005-5500	3			SB76001	
EA62	4	82				88005-8610	3			SB82001	
EA65	4	83				48005-7010	3			SB83001	
EA63	4	85				38005-0100	3			SB85001	
						38005-7000					
EA71	4	92				38005-4300	3			SB92001	
						(38005-4310)					
						38005-4320	3				
EA81	4	92				48005-7110	3			SB92002	
						48005-7300	3				
EA82	4	92				12006-AA240	3			SB92003	
						12006-AA000	3				
						12006-AA120	3				



CAPT. PREMIUM CYLINER LINER

Engine Code.	Cyl.	Bore size	Liner O.E.Number	Length (m/m)	Code	Piston O.E. Number	Ring	Al	CH	CAPT. No.	Liner Kit Or Remark
--------------	------	-----------	------------------	--------------	------	--------------------	------	----	----	-----------	---------------------

Suzuki

L50	2	61				12110-67001	3k			SU61001	
LJ50	6	61				12110-72102	2K			SU61002	
F5A	3	62				12111-78110	3			SU62001	
						(12111-78111)					
F8A	4	62				12111-78110	3			SU62002	
						(12111-78111)	3				
						12111-73002					
F10A	4	65.5				12111-75104	3			SU65501	
						(12111-75107)					
						(12111-85201)					
L60	2	68				12110-67101	2K			SU68001	
SS80	3	68.5				12110-78400	3			SU68501	
						(12110-78402)					
G10A	3	74				12111-60B00-0B0				SU74001	
G10	3	74				12111-82010	3			SU74002	
G13	4	74				12111-82010	3			SU74003	
						12111-83000	3				
G10T	3	74				12111-84152	3			SU74004	
G13B	4	74				12111-86501-0A0	3			SU74005	
G16A	4	75				12111-60A02-0A0	3			SU75001	



CAPT. PREMIUM CYLINER LINER

Engine Code.	Cyl.	Bore size	Liner O.E.Number	Length (m/m)	Code	Piston O.E. Number	Ring	Al	CH	CAPT. No.	Liner Kit Or Remark
--------------	------	-----------	------------------	--------------	------	--------------------	------	----	----	-----------	---------------------

Toyota

1E	4	70.5				13101-10033	3			TO70501		
2K	4	72				13101-12010	3			TO72001		
2E	4	73				13101-11030	3			TO73001		
						(13101-11090)						
						13101-11040	3					
						13101-11050						
						(13101-11051)	3					
3E	4	73				13101-11081	3			TO73002		
1N	4	74				13101-55020	3			TO74010		
K 3K 4K	4	75	11462-24010		S	13101-24010/11	3			TO75001		
4K-U 4K	4	75	11462-24010			13101-13020	3			TO75002		
						(13101-13021)						
						(13101-13022)						
1G-GEU	6	75				13101-88300	3			TO75003		
1G-EU	6	75				13101-70010	3			TO75004		
1G-G	6	75				13101-70020	3			TO75005		
1G-GZ	6	75				13101-70040	3			TO75006		
M	6	75	11462-41010	160	S	13101-41010	3			TO75007		
						13101-41040	3					
						13101-41060	3					
						(13101-41061)						
						13101-41050	3					
						13101-41020	3					
						13101-41011	3					
2A	4	76				13101-14010	3			TO76001		
						13101-14020	3					
2P	4	76.6	11462-21010		S	13101-21010	4			TO76601		
3P	4	76.6	11462-23010	140	S	13101-23010	3			TO76602		
						(13101-23011)						
4P	4	76.6	11462-23010	140	S	13101-78001	3			TO76603		
						(13101-96001)						
1AU	4	77.5				13101-15010	3			TO77501		
3AU	4	77.5				13101-15020	3			TO77502		
2R	4	78	11462-31010		S	13101-31010	3			TO78001		
						(13101-31011)						
5AF	4	78.7				13101-15040	3			TO78701		
						13101-15050	3					
T	4	80				13101-25010	3			TO80001		
						13101-25011	3					
						13101-25020	3					
4M	6	80				13101-45010	3			TO80002		
						13101-45020	3					
						(13101-45021)						
						13101-45011	3					
12R	4	80.5	11462-31020	144	S	13101-31020	3			TO80501		
						(13101-31021)						
						(13101-310220)						
1S	4	80.5				13101-63010	3			TO80502		
						13101-63020	3					

Code:S=Semi-Finish,F=Finish,ALL=S&F,B=Blacking(Phosphated),C=Chromed,P=Copper Plating,
Al(Al =Alfin,N =nonAlfin B=Both Available,CH=Cooling Channel,K=Keystone,H=Half Keystone



CAPT. PREMIUM CYLINER LINER

Engine Code.	Cyl.	Bore size	Liner O.E.Number	Length (m/m)	Code	Piston O.E. Number	Ring	Al	CH	CAPT. No.	Liner Kit Or Remark
--------------	------	-----------	------------------	--------------	------	--------------------	------	----	----	-----------	---------------------

Toyota

5K	4	80.5				13101-13030	3			TO80503	
						13101-13040	3				
4A-ELU	4	81				13101-16010	3			TO81001	
4A-GEU	4	81				13101-16020	3			TO81002	
						13101-16030	3				
4A-GE	4	81				13101-16070	3			TO81003	
4A-FE	4	81				13101-16090	3			TO81004	
4A	4	81				13101-16050	3			TO81005	
4ASFI	4	82.5				13101-74071	3			TO82501	
3E	4	83				13101-11081	3			TO83001	
5M	6	83				13101-43020	3			TO83002	
5M-GEU	6	83				13101-43040	3			TO83003	
5M-G	6	83				13101-42030	3			TO83004	
5M	6	83				13101-42040	3			TO83005	
5M-GEU	6	83				13101-43041	3			TO83006	
						13101-43051	3				
5M	6	83				13101-43010	3			TO83007	
						(13101-43011)					
						13101-43030	3				
						(13101-43031)					
7M-GTEU	6	83				13101-42050	3			TO83008	
7M-G	6	83				13101-42060	3			TO83009	
1C	4	83	11462-64010		S	13101-64010	3			TO83010	
						13101-64020	3				
1C-T	4	83				13101-64040	3			TO83020	
1C	4	83	11462-64010			13101-64050	3			TO83030	
						(13101-64100)					
						13101-64130	3				
2S	4	84				13101-74010	3			TO84001	
						(13101-74011)					
21R	4	84				13101-37060	3			TO84002	
						(13101-37061)					
21R-U	4	84				13101-37010	3			TO84003	
21R-C	4	84				13101-37030	3			TO84004	
21R	4	84				13101-37020	3			TO83005	
21R	4	84				13101-37050	3				
2T	4	85				13101-26030	3			TO85001	
						13101-26031	3				
2T-GR	4	85				13101-27021	3			TO85002	
2T	4	85				13101-26010	3			TO85003	
						(13101-26011)					
2T-J	4	85				13101-26040	3			TO85004	
2T	4	85				13101-26020	3			TO85005	
						(13101-26021)					
12T-U	4	85				13101-27030	3			TO85006	
12T	4	85				13101-27040	3			TO85007	
3T-U, 13T-U	4	85				13101-28010	3			TO85008	
3T	4	85				13101-28020	3			TO85009	
3T-GTEU	4	85				13101-88280	3			TO85009A	

Code:S=Semi-Finish,F=Finish,ALL=S&F,B=Blacking(Phosphated),C=Chromed,P=Copper Plating,
Al(Al =Alfin,N =nonAlfin B=Both Available,CH=Cooling Channel,K=Keystone,H=Half Keystone



CAPT. PREMIUM CYLINER LINER

Engine Code.	Cyl.	Bore size	Liner O.E.Number	Length (m/m)	Code	Piston O.E. Number	Ring	Al	CH	CAPT. No.	Liner Kit Or Remark
--------------	------	-----------	------------------	--------------	------	--------------------	------	----	----	-----------	---------------------

Toyota

13T	4	85				13101-18010	3			TO85009B	
						13101-18020	3				
4T-GTEU	4	85.5				13101-88283	3			TO85501	
6R 7R(8R)	4	86	11462-33010		S	13101-33010/2/3/4	3			TO86001	
7RB 8RB	4	86				13101-33021	3			TO86002	
						(13101-33024)					
1Y	4	86				13101-71010	3			TO86003	
2Y	4	86				13101-72010	3			TO86004	
3Y	4	86				13101-73010	3			TO86005	
3S-GELU	4	86				13101-74030	3			TO86006	
						(13101-74031)					
3S-FE	4	86				13101-74040	3			TO86007	
2C	4	86				13101-64030	3			TO86010	
						13101-64080	3				
						13101-64090	3				
						13101-64110	3				
2C-T	4	86				13101-64070	3			TO86020	
						13101-64121	3				
3C	4	86				13101-64150	3			TO86030	
						(13101-64151)					
3VZ-E	V6	87.5				13101-65040	3			TO87501	
5R (3R)	4	88	11462-40010	150	S	13101-44011	3			TO88001	
						(13101-44012)					
						(13101-44013/4)					
						13101-44015	3				
						13101-44020	3				
						(13101-44021)					
13101-44016	3										
J	4	88				13081-46011	3			TO88010	
						(13081-46012)					
						(13081-48010)					
2J(O)	4	88	11461-48010	S	S					TO88020	
H(O)	6	88	11461-48010		S					TO88030	
2J(N)	4	88	11461-48011	184	S	13081-48015-1	3			TO88040	TODKT1801A TODKT1801B KK1308122060A KK1308122060B
						13081-48015-2	3				
						(13081-48014)					
						13081-22060-1	3				
						13081-22060-2	3				
13081-48013											
2J(N)	4	88	11461-48011	184	S	13211-21910-71(A)	3			TO88040	
						(13221-21910-71(B))					
H(N)	6	88	11461-48011	184.1	S	13081-47013-1	3			TO88050	TODKT1501A TODKT1501B
						13081-47013-2					
						(13081-47012)	3				
18R	4	88.5				13101-34010	3			TO88501	
						(13101-34030)					
						(13101-34040)					
18R-C	4	88.5				13101-88233	3			TO88502	
						(13101-88252)					

Code:S=Semi-Finish,F=Finish,ALL=S&F,B=Blacking(Phosphated),C=Chromed,P=Copper Plating,
Al(Al =Alfin,N =nonAlfin B=Both Available,CH=Cooling Channel,K=Keystone,H=Half Keystone



CAPT. PREMIUM CYLINER LINER

Engine Code.	Cyl.	Bore size	Liner O.E.Number	Length (m/m)	Code	Piston O.E. Number	Ring	AI	CH	CAPT. No.	Liner Kit Or Remark
--------------	------	-----------	------------------	--------------	------	--------------------	------	----	----	-----------	---------------------

Toyota

16R	4	88.5				13101-36020	3			TO88503	
						(13101-36030)					
20R	4	88.5				13101-38010	3			TO88510	
						(13101-38020)					
						13101-38050					
						13101-380301					
F	6	90	11462-60010	188	S	13101-60011	4			TO90001	
						13101-60020					
						13101-60030					
L	4	90	11461-54010AF	160.5	S	13101-54010	3			TO90010	TODKT3001
			11461-54010SF								
4Y	4	91				13101-73030	3			TO91001	
						13101-73040					
						13101-73031					
2H(O)	6	91	11461-96601	184	S	13081-78601-71	3			TO91010	
						(13081-96601)					
						13101-68010					
						13081-31960-71					
2H(N)	6	91	11461-68010	184	S	13101-68010	3			TO91020	TODKT3002
12H-T	6	91				13101-68020	3			TO91030	
22R	4	92				13101-35010	3			TO92001	
						(13101-35020)					
						13101-35030					
						(13101-35031)					
						(13101-35032)					
						13101-35050					
2L-TE	4	92				13101-54030	3			TO92010	
2L	4	92	11461-54060	196	S	13101-54060	3			TO92020	KK1310154060
			11461-54090								
2L-THE	4	92				13101-54080	3			TO92030	
2L-T	4	92				13101-54050	3			TO92040	
2L	4	92				13101-54070	3			TO92050	
2L-T	4	92				13101-54090	3			TO92060	
						(13101-54091)					
5P	4	93				13101-96101	3			TO93001	
2F	6	94	11462-61010		S	13101-61010	3			TO94001	
						(13101-61011)					
						13101-61020					
3F	6	94				13101-61030	3			TO94002	
3F-E	6	94				13101-61032	3			TO94003	
1PZ	5	94				13101-17010	3			TO94010	
1HZ	6	94				13101-17010	3			TO94020	
1HD-T	6	94				13101-17020	3			TO94030	
B(O)	4	95	11461-56010							TO95010	

Code:S=Semi-Finish,F=Finish,ALL=S&F,B=Blacking(Phosphated),C=Chromed,P=Copper Plating, AI(AI =Alfin,N =nonAlfin B=Both Available,CH=Cooling Channel,K=Keystone,H=Half Keystone



CAPT. PREMIUM CYLINER LINER

Engine Code.	Cyl.	Bore size	Liner O.E.Number	Length (m/m)	Code	Piston O.E. Number	Ring	Al	CH	CAPT. No.	Liner Kit Or Remark
--------------	------	-----------	------------------	--------------	------	--------------------	------	----	----	-----------	---------------------

Toyota

B(N)	4	95	11461-56020	190	S	13081-56011	4			TO95020	KK1310156031
						13101-56032	3				
						13101-56050	3				
						13101-56031	3				
B(11B)	4	95	11461-56020	190	S	13101-56020/21 (13101-56030/31)	3			TO95020	TODKT2101
11B	4	95	11461-56030		S	13101-56041	3			TO95030	
						13101-56060	3				
1Z	4	96	11461-78300	182.5		13101-78300-71 (13101-96300-71)	3			TO96010	
3L	4	96	11461-54120 (Flange)		S	13101-54100 (13101-54101)	3			TO96020	
1KZ-TE	4	96				13101-67020	3			TO96030	
2B	4	98	11461-57010	190	S	13101-57011	3			TO98010	TODKT1701
						(13101-57020)					
1FZ-FE	6	100				13101-66020	3			TO10010	
3B	4	102	11461-58010	187.7	S	13101-58011	3			TO10210	KK1310158011
			11461-58020			(13101-58012)					
					S	13101-58050	3				
13B	4	102	11461-58020	190.2	S	13101-58020	3			TO10220	KK1310158021
						13101-58021	3				
13B-T	4	102				13101-58030	3			TO10230	
14B-T	4	102				13101-58060	3			TO10240	
14B	4	102				13101-58040	3			TO10250	
1W	4	104				13101-78020	3			TO10410	
						(13101-78060)					
2D(N)	6	105	11461-77021			13101-77012	5			TO10510	11046-79055
						(13101-77013)					
						13101-77015	4				
						(13101-77016)					
						13101-77020	4				
13101-77021	4										
2D(N) 2D(O)	6	105	11461-77020/1 11461-77040			13101-77020				TO10520	KK1310177020

Code:S=Semi-Finish,F=Finish,ALL=S&F,B=Blacking(Phosphated),C=Chromed,P=Copper Plating,
Al(Al =Alfin,N =nonAlfin B=Both Available,CH=Cooling Channel,K=Keystone,H=Half Keystone



CAPT. ENGINE TECHNOLOGY INC.

No. 287, Sec. 3 Ming Teh N.Rd. Tou-Liu City, Yun-Lin Hsien, Taiwan

Tel:+886-5-5328511(Rep.) Fax:+886-5-5320867

Email : ming.yang2@msa.hinet.net

<http://www.mingyang-group.2u.com.tw>

Captain your way